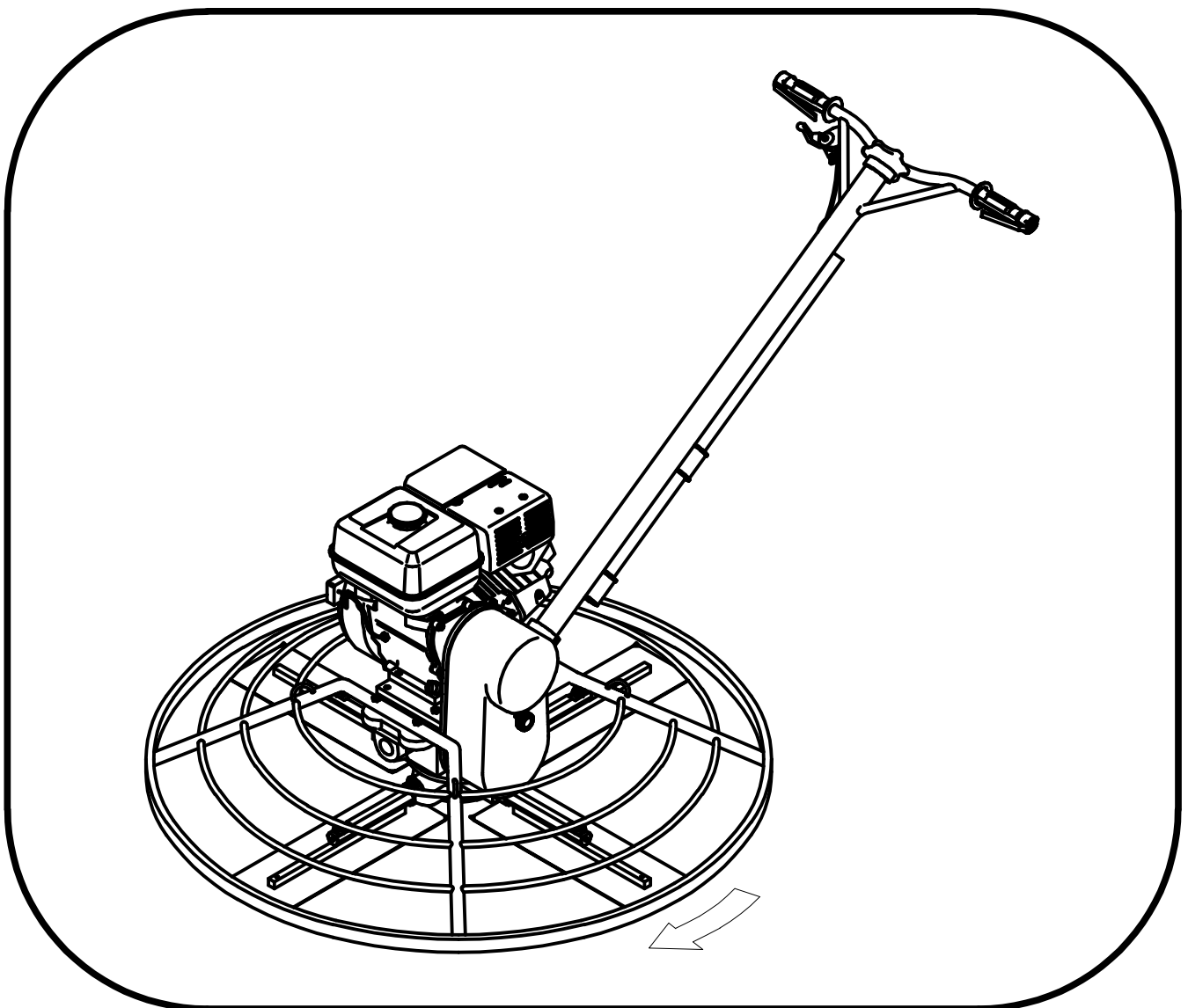


BARIKELL

SPARE PART LIST MANUAL *MANUALE ELENCO PARTI DI RICAMBIO*

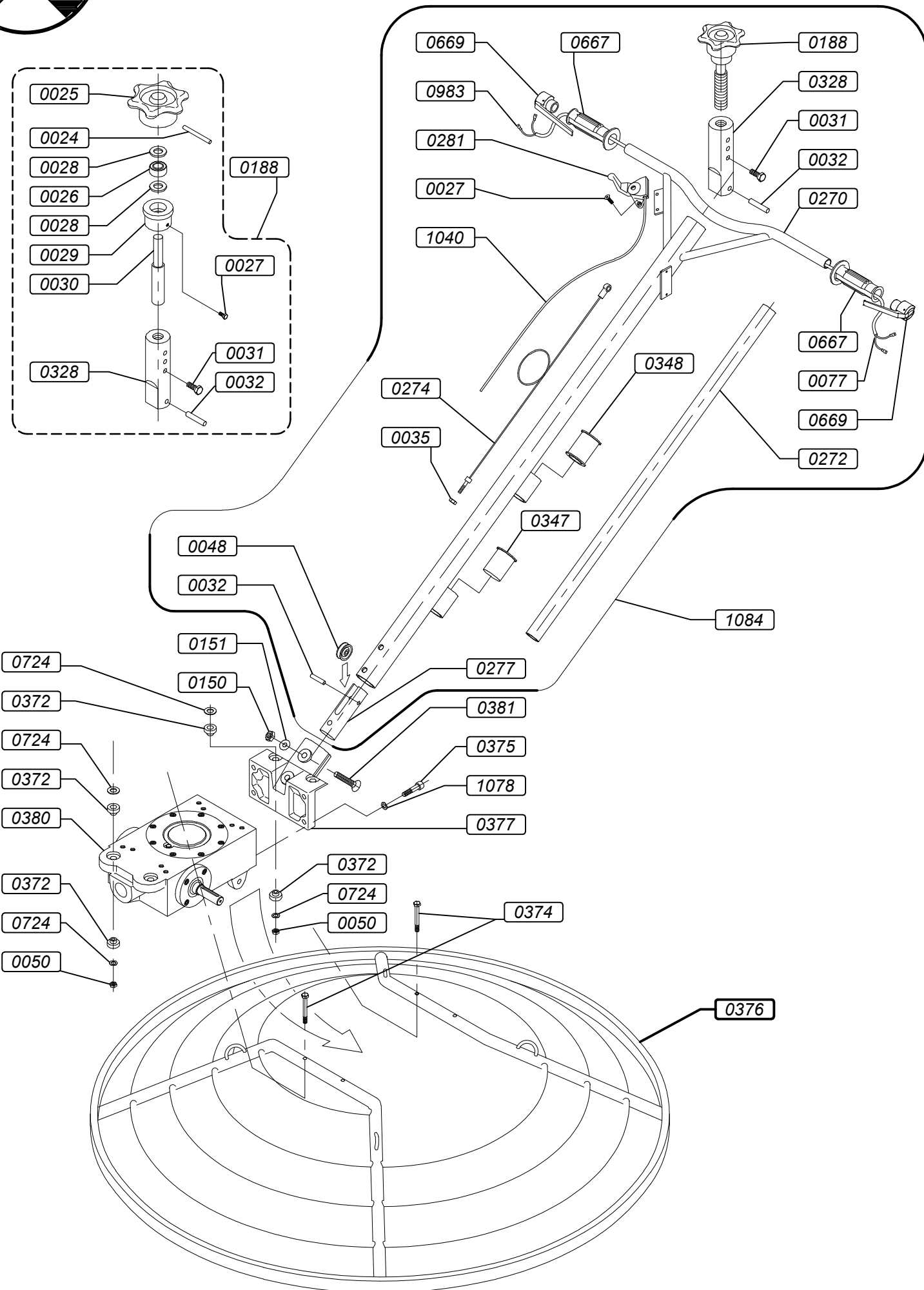
POWER TROWEL "4-120 / 5-120"
FRATTAZZATRICE "4-120 / 5-120"





4-120 / 5-120

TABLE
TAVOLA **A**

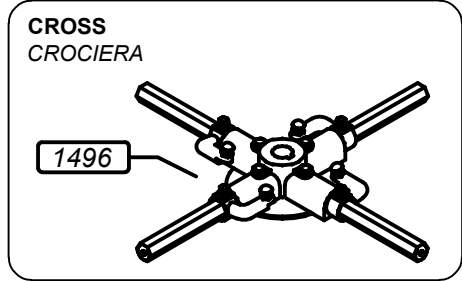
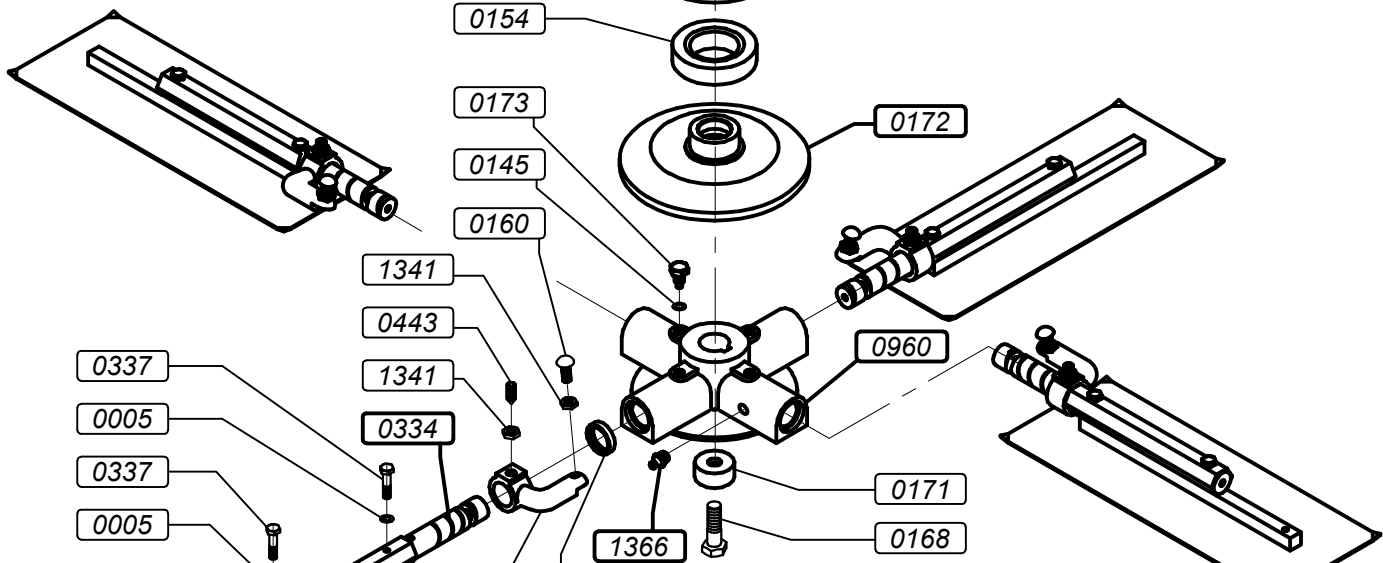
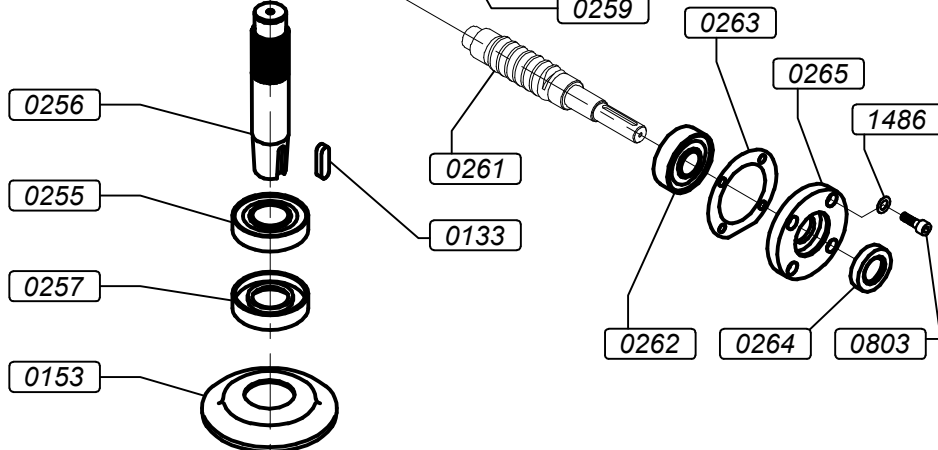
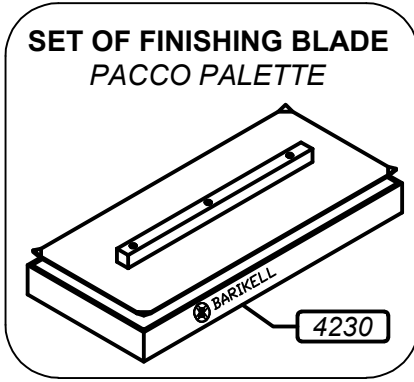
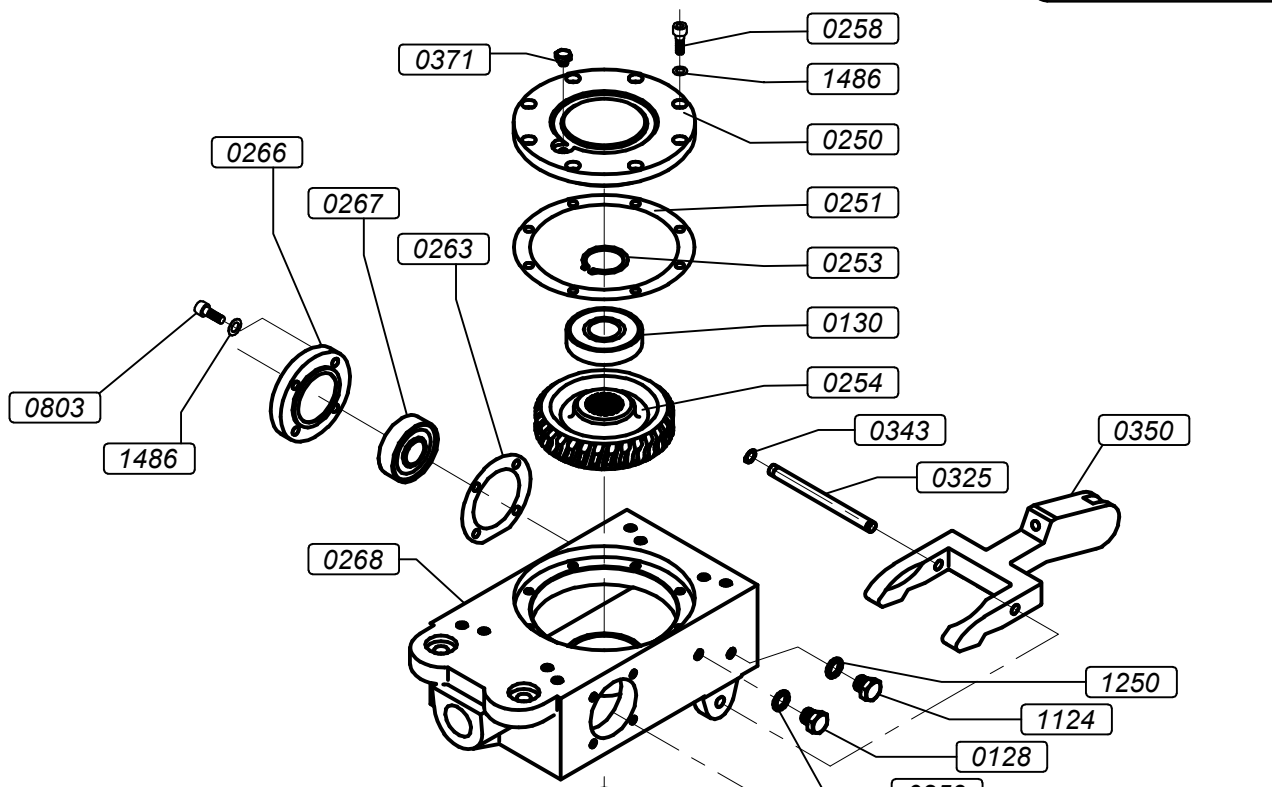


| COD. | DESCRIZIONE (I) | DESCRIPTION (GB) |
|-------------|--|-------------------------------------|
| 0024 | SPINA ELASTICA 6x60 DIN 1481 | UNIVERSAL PIN 6x60 DIN 1481 |
| 0025 | MANOPOLA ALZAPALE | TOOLHOLDERS KNOB |
| 0026 | CUSCINETTO REGGISPINTA AXK1528 | BEARING THRUST AXK1528 |
| 0027 | VITE TCCE 5x10 5931 Z.B. | SCREW TCCE 5x10 5931 ZINC PLATED |
| 0028 | RALLA AS 1528 | BOLSTER AS 1528 |
| 0029 | ANELLO PORTACUSC.REGGISPINTA | RING BEARING THRUST |
| 0030 | PERNO FILETTATO x REGIST. PALE | THREADED PIN |
| 0031 | VITE TCCE 6x10 5931 Z.B. | SOCKET CAP SCREW |
| 0032 | SPINA CILINDRICA 8x40 UNI 1707 | CYLINDRICAL PIN 8X40 |
| 0035 | DADO BLOKM10 -985 - Z.B. | SELF-LOCKING NUT M10 985 ZINC P. |
| 0048 | CARRUCOLAGUIDA CAVO Z.B. | CABLE GUIDE PULLEY |
| 0050 | DADO BLOKM8 DIN 985 Z.B. | SELF-LOCKING NUT M8 DIN 985 ZINC P. |
| 0077 | FILO ELETTRICO L=2600 MAN.CO,LUN, MOSQ | ELECTRIC CABLE L=2600 |
| 0150 | DADO M12 BASSO 5589 Z.B. | LOW NUT M12 5589 |
| 0151 | RONDELLA GROWER 12 ZB | GROWER WASHER 12 |
| 0188 | GRUPPO ALZAPALE PER 4-90/4-120 | BLADE LIFTER UNIT 4-90/120 |
| 0270 | MANICO CORTO CROM. 4-90/4-120 | STANDARD HANDLE -ONLY HANDLE- |
| 0272 | TUBO TRASPORTO 33X2,8 L=595 | TRANSPORTER ASSY 33X2.8 L=595 |
| 0274 | CAVO ACCIAIO 4X49X1150 -MAN. CORTO | SHORT STEEL CABLE 4X49X1150 |
| 0277 | SUPPORTO CARRUCOLA | PULLEY SUPPORT |
| 0281 | LEVA ACCELERATORE METALLO | METAL ACCELERATOR LEVER |
| 0328 | ATTACCO SUPERIORE x CAVO DI REGISTRO | UPPER COUPLING FOR REGISTER |
| 0347 | BUSSOLA CHIUSA IN GOMMA | CLOSED RUBBER BUSH |
| 0348 | BUSSOLA APERTA IN GOMMA | OPEN RUBBER BUSH |
| 0372 | BOCCOLA ANTIVIBRANTE V75 | VIBRATION DAMPER BUSH V75 |
| 0374 | VITE TE 8x70 - 5737 - Z.B. | SCREW 8X70 5737 |
| 0375 | VITE TCCE 10x35 Z.B. UNI 5931 | SCREW TCCE 10X35 5931 |
| 0376 | CERCHIO PROTEZIONE 4-120 CROM. | PROTECTION RING 4-120 |
| 0377 | FLANGIA PORTA MANICO CORTO | SHORT SLEEVE FLANGE |
| 0380 | RIDUTTORE V75 COMPL. C/MUSETTO | COMPLETE V75 GEARBOX |
| 0381 | VITE VSP 12x80 5933 Z.B. | SCREW 12X80 5933 |
| 0667 | MANOPOLA D. 22 APERTA RIF.1MA04005 | OPEN KNOB D.22 |
| 0669 | DISP.SIC.BENZ.D.18 S/GANCIO (1DS01005) | DEADMAN SWITCH PETROL LEVEL D.18 |
| 0724 | RONDELLA 8x24 - ZINCATA BIANCA | WASHER 8x24 - ZINC PLATED |
| 0983 | FILO ELETTRICO L=680 + G.COR MA.L+C+MOSK | ELECTRIC CABLE L=680 |
| 1040 | FILO C/GUAINA 1,5x1900x1800 - | CABLE WITH SHEATH 1,5x1900x1800 |
| 1078 | RONDELLA ZIGRIN.D10 ZINC.B. | WASHER D10 ZINC PLATED |
| 1084 | MANICO C.COMPL.4-90/120 AC.FE. | STANDARD COMPLETE HANDLE .4-90/120 |



4-120

TABLE
TAVOLA **B1**



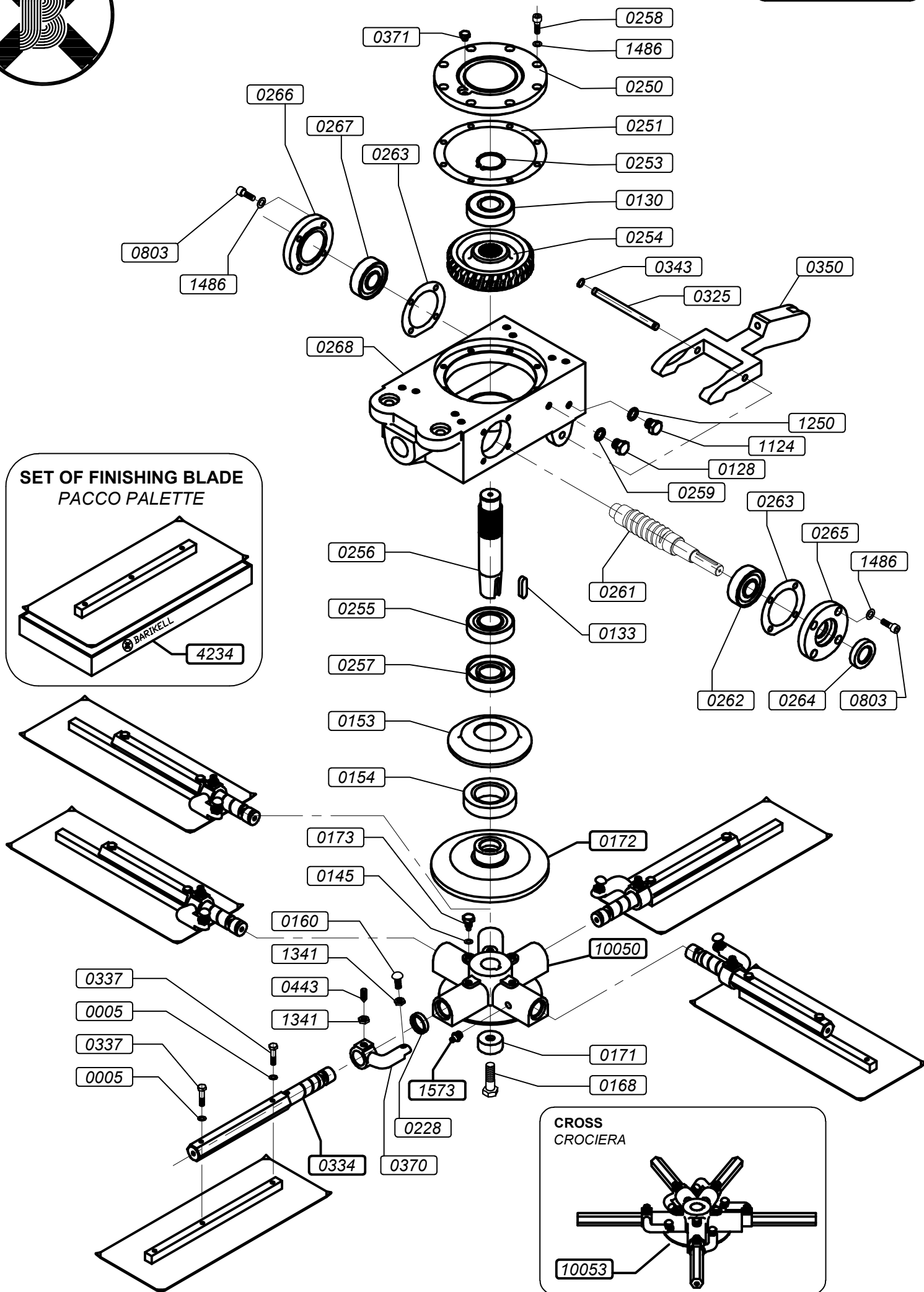
| COD. | DESCRIZIONE (I) | DESCRIPTION (GB) |
|-------------|---|---|
| 0005 | RONDELLA GROWER D. 8 Z.B. | SCREW HEX HEAD 8x35 UNI 5737 GALVANIZED WHITE |
| 0128 | TAPPO SCARICO OLIO 3/8" GAS ZB | PLUG OIL 3/8" GAS GALVANIZED WHITE |
| 0130 | CUSCINETTO CONICO 30306 CX | TAPER BEARING 30306 CX |
| 0133 | CHIAVETTA10x8x35 - 6604A | KEY 10x8x35 - 6604A |
| 0145 | RONDELLA PIANA 10x21 6592 Z.B. | WASHER 10x21 6592 GALVANIZED WHITE |
| 0153 | COPRICUSCINETTO 4-90/4-120 | COVER BEARING 4-90/4-120 |
| 0154 | CUSCINETTO REGGISPINTA BCA2256 | BEARING BCA2256 |
| 0160 | VITE TTDE10X30 UNI 5731 SENZA | SCREW TTDE10X30 UNI 5731 |
| 0168 | VITE TCCE 12x30X1,5 Z.B. DIN912 | SCREW TCCE 12x30X1,5 GALVANIZED WHITE DIN912 |
| 0171 | ROND. BLOCC. CROC. 4-90/120,MK8-75,OL90 | WASHER 4-90/120,MK8-75,OL90 |
| 0173 | VITE BLOC.BRAC.P.PALE 4-90/120 | SCREW FIX TOOLHOLDER 4-90/120 |
| 0228 | OR D.25 SEZ.1,5 PER CROC. | O-RING D.25 SEZ.1,5 |
| 0243 | CAMPANA REG.PALE D.182 ZB | UPPER HEAD TOOLHOLDER D.182 |
| 0250 | COPERCHIOSUPERIORE V75 | UPPER COVER V75 |
| 0251 | GUARNIZIONE SUPERIORE V75 | UPPER SEAL V75 |
| 0253 | SEEGER "E" 30x1,5 UNI 7435 DIN 471 | SEEGER "E" 30x1,5 UNI 7435 DIN 471 |
| 0254 | CORONA DENTATA DX V75 | CROWN GEAR DX V75 |
| 0255 | CUSCINETTO SFERE 6207-2RS V75 CX | BALL BEARING 6207-2RS V75 CX |
| 0256 | ALBERO LENTO V75 | SLOW SHAFT V75 |
| 0257 | PARAOLIO DOP.TENUTA 35X55X10 | OIL SEAL 35X55X10 |
| 0258 | VITE TCCE 8x16 UNI 5931 Z.B. 12.9 | SCREW TCCE 8x16 UNI 5931 GALVANIZED WHITE |
| 0259 | RONDELLA ALL. 17x23x1.5 X RID. | WASHER ALL. 17x23x1.5 |
| 0261 | VITE SENZA FINE DX V75 | WORM SCREW DX V75 |
| 0262 | CUSCINETTO CONICO 30305 CX | TAPER BEARING 30305 CX |
| 0263 | GUARNIZIONE LATERALE V75 | SEAL V75 |
| 0264 | PARAOLIO DOP.TENUTA 25X45X10 | OIL SEAL 25X45X10 |
| 0265 | COPERCHIO LATERALE FORATO V75 | PERFORATED SIDE LID V75 |
| 0266 | COPERCHIO LATERALE CHIUSO V75 | CLOSED SIDE COVER V75 |
| 0267 | CUSCINETTO A SFERE 6305 CX | BALL BEARING 6305 CX |
| 0268 | SCATOLA RIDUTTORE V75 C/MUSETT | REDUCTION GEAR BOX V75 C/MUS |
| 0325 | PERNO FORCEL.D.11X179 Z.B.V75 | PIN YOKE D.11X179 Z.B.V75 |
| 0334 | BRACCIO PORTA PALETTA 4-120 | TOOLHOLDER ARM 4-120 |
| 0337 | VITE TE 8x40 5737 Z.B. | SCREW HEX HEAD 8x40 5737 GALVANIZED WHITE |
| 0343 | ANELLO RADIALE DIAM.10 | SEAL DIAM.10 |
| 0350 | FORCELLA COMANDO PALE D.11 | YOKE CONTROL TOOLHOLDER D.11 |
| 0370 | GOMITO DXD.25 4-120/OL-90 | RH ELBOW D.25 4-120/OL-90 |
| 0371 | TAPPO SFIATO 1/8"+ RONDELLA IN RAME | BREATHER PLUG 1/8"+ COPPER WASHER |
| 0443 | GRANO M10x20 UNI 5927 | DOWEL M10x20 UNI 5927 |
| 0380 | RIDUTTORE COMPL. V75 C/MUS. | COMPLETE GEARBOX V75 C/MUS. |
| 0803 | VITE TCCE M8X20 | SCREW TCCE M8X20 |
| 0960 | CROCERA D.25 4-120/OL90 C/FORI | SPIDER D.25 4-120/OL90 |

| | | |
|------|-----------------------------|--------------------------------|
| 1124 | INDICAT.LIV.OLIO 3/4" VETRO | LEVEL INDICATOR OIL 3/4" GLASS |
| 1250 | RONDELLA ALL.27X33X1,5 3/4" | WASHER ALL.27X33X1,5 3/4" |
| 1341 | DADO M10 5589 BASSO GREZZO | NUT M10 5589 |
| 1366 | INGRASSATORE M8X1,25 | GREASE FITTING M8X1.25 |
| 1486 | RONDELLA ZIGRINATA D.8 Z.B. | WASHER D.8 GALVANIZED WHITE |
| 1496 | CROCERA COMP. 4-120 | COMPLETE SPIDER PLATE 4-120 |
| 4230 | PACCO PALETTE 4-120 | SET OF FINISHING BLADES 4-120 |



5-120

TABLE TAVOLA **B2**



| COD. | DESCRIZIONE (I) | DESCRIPTION (GB) |
|-------------|---|---|
| 0005 | RONDELLA GROWER D. 8 Z.B. | SCREW HEX HEAD 8x35 UNI 5737 GALVANIZED WHITE |
| 0128 | TAPPO SCARICO OLIO 3/8" GAS ZB | PLUG OIL 3/8" GAS GALVANIZED WHITE |
| 0130 | CUSCINETTO CONICO 30306 CX | TAPER BEARING 30306 CX |
| 0133 | CHIAVETTA10x8x35 - 6604A | KEY 10x8x35 - 6604A |
| 0145 | RONDELLA PIANA 10x21 6592 Z.B. | WASHER 10x21 6592 GALVANIZED WHITE |
| 0153 | COPRICUSCINETTO 4-90/4-120 | COVER BEARING 4-90/4-120 |
| 0154 | CUSCINETTO REGGISPINTA BCA2256 | BEARING BCA2256 |
| 0160 | VITE TTDE10X30 UNI 5731 SENZA | SCREW TTDE10X30 UNI 5731 |
| 0168 | VITE TCCE 12x30X1,5 Z.B. DIN912 | SCREW TCCE 12x30X1,5 GALVANIZED WHITE DIN912 |
| 0171 | ROND. BLOCC. CROC. 4-90/120,MK8-75,OL90 | WASHER 4-90/120,MK8-75,OL90 |
| 0173 | VITE BLOC.BRAC.P.PALE 4-90/120 | SCREW FIX TOOLHOLDER 4-90/120 |
| 0228 | OR D.25 SEZ.1,5 PER CROC. | O-RING D.25 SEZ.1,5 |
| 0243 | CAMPANA REG.PALE D.182 ZB | UPPER HEAD TOOLHOLDER D.182 |
| 0250 | COPERCHIOSUPERIORE V75 | UPPER COVER V75 |
| 0251 | GUARNIZIONE SUPERIORE V75 | UPPER SEAL V75 |
| 0253 | SEEGER "E" 30x1,5 UNI 7435 DIN 471 | SEEGER "E" 30x1,5 UNI 7435 DIN 471 |
| 0254 | CORONA DENTATA DX V75 | CROWN GEAR DX V75 |
| 0255 | CUSCINETTO SFERE 6207-2RS V75 CX | BALL BEARING 6207-2RS V75 CX |
| 0256 | ALBERO LENTO V75 | SLOW SHAFT V75 |
| 0257 | PARAOLIO DOP.TENUTA 35X55X10 | OIL SEAL 35X55X10 |
| 0258 | VITE TCCE 8x16 UNI 5931 Z.B. 12.9 | SCREW TCCE 8x16 UNI 5931 GALVANIZED WHITE |
| 0259 | RONDELLA ALL. 17x23x1.5 X RID. | WASHER ALL. 17x23x1.5 |
| 0261 | VITE SENZA FINE DX V75 | WORM SCREW DX V75 |
| 0262 | CUSCINETTO CONICO 30305 CX | TAPER BEARING 30305 CX |
| 0263 | GUARNIZIONE LATERALE V75 | SEAL V75 |
| 0264 | PARAOLIO DOP.TENUTA 25X45X10 | OIL SEAL 25X45X10 |
| 0265 | COPERCHIO LATERALE FORATO V75 | PERFORATED SIDE LID V75 |
| 0266 | COPERCHIO LATERALE CHIUSO V75 | CLOSED SIDE COVER V75 |
| 0267 | CUSCINETTO A SFERE 6305 CX | BALL BEARING 6305 CX |
| 0268 | SCATOLA RIDUTTORE V75 C/MUSETT | REDUCTION GEAR BOX V75 C/MUS |
| 0325 | PERNO FORCEL.D.11X179 Z.B.V75 | PIN YOKE D.11X179 Z.B.V75 |
| 0334 | BRACCIO PORTA PALETTA 5-120 | TOOLHOLDER ARM 5-120 |
| 0337 | VITE TE 8x40 5737 Z.B. | SCREW HEX HEAD 8x40 5737 GALVANIZED WHITE |
| 0343 | ANELLO RADIALE DIAM.10 | SEAL DIAM.10 |
| 0350 | FORCELLA COMANDO PALE D.11 | YOKE CONTROL TOOLHOLDER D.11 |
| 0370 | GOMITO DX | RH ELBOW |
| 0371 | TAPPO SFIATO 1/8"+ RONDELLA IN RAME | BREATHER PLUG 1/8"+ COPPER WASHER |
| 0443 | GRANO M10x20 UNI 5927 | DOWEL M10x20 UNI 5927 |
| 0380 | RIDUTTORE COMPL. V75 C/MUS. | COMPLETE GEARBOX V75 C/MUS. |
| 0803 | VITE TCCE M8X20 | SCREW TCCE M8X20 |
| 10050 | CROCERA D.25 5-90/120 | SPIDER 5-120 |

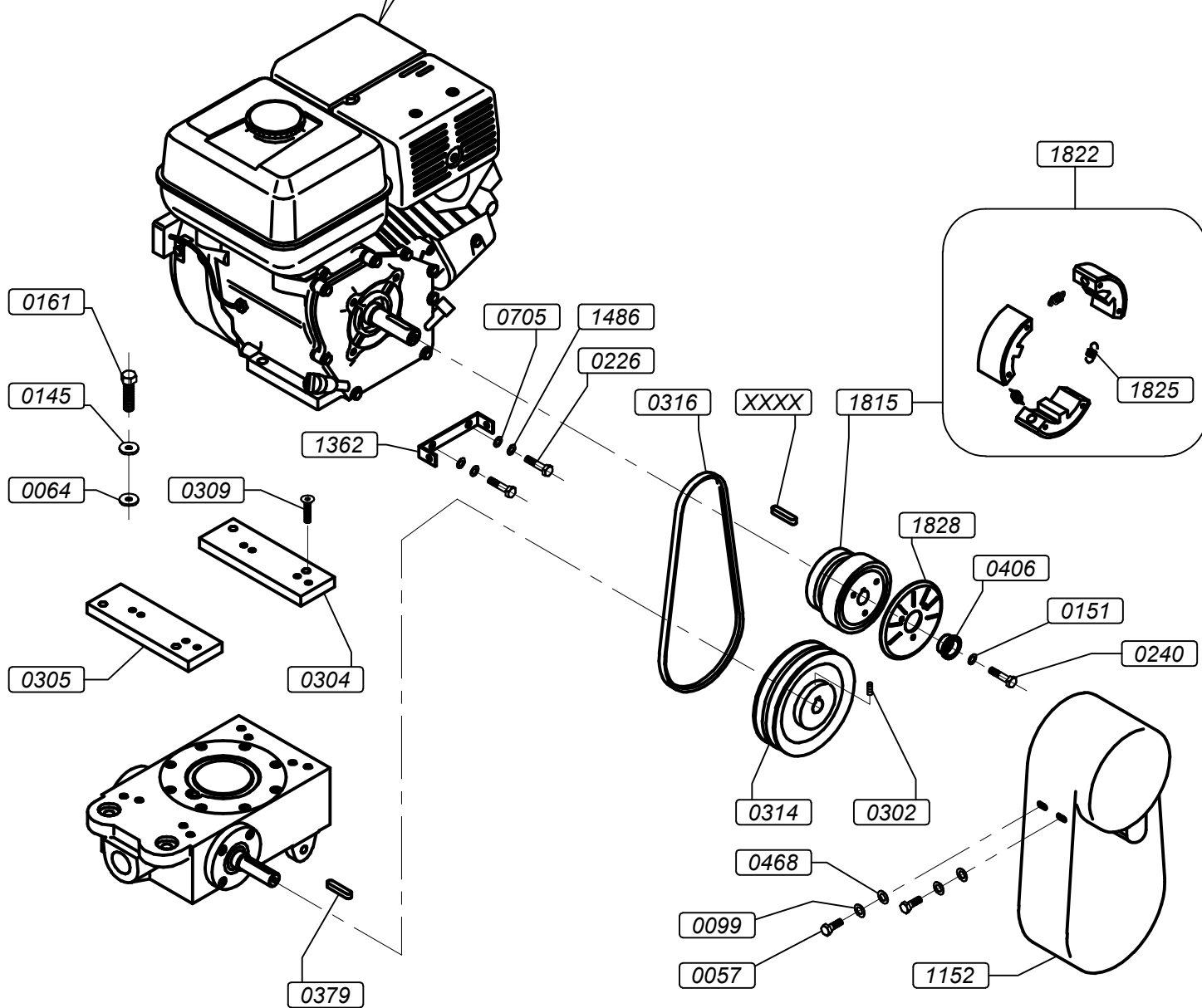
| | | |
|-------|-----------------------------|--------------------------------|
| 10053 | CROCERA COMP. 5-120 | COMPLETE SPIDER PLATE 5-120 |
| 1124 | INDICAT.LIV.OLIO 3/4" VETRO | LEVEL INDICATOR OIL 3/4" GLASS |
| 1250 | RONDELLA ALL.27X33X1,5 3/4" | WASHER ALL.27X33X1,5 3/4" |
| 1341 | DADO M10 5589 BASSO GREZZO | NUT M10 5589 |
| 1486 | RONDELLA ZIGRINATA D.8 Z.B. | WASHER D.8 GALVANIZED WHITE |
| 1573 | INGRASSATORE M8X1.25 2802 | GREASER M8X1.25 2802 |
| 4234 | PACCO PALETTE 5-120 | SET OF FINISHING BLADES 5-120 |



4-120 / 5-120

TABLE
TAVOLA **C1**

- 4310 ENGINE / MOTORE HONDA GX270 9HP
- 4360 ENGINE / MOTORE ROBIN EX27 9HP



**KIT 180 RPM
(NO ENGINE 5.5HP)**

1627
10001

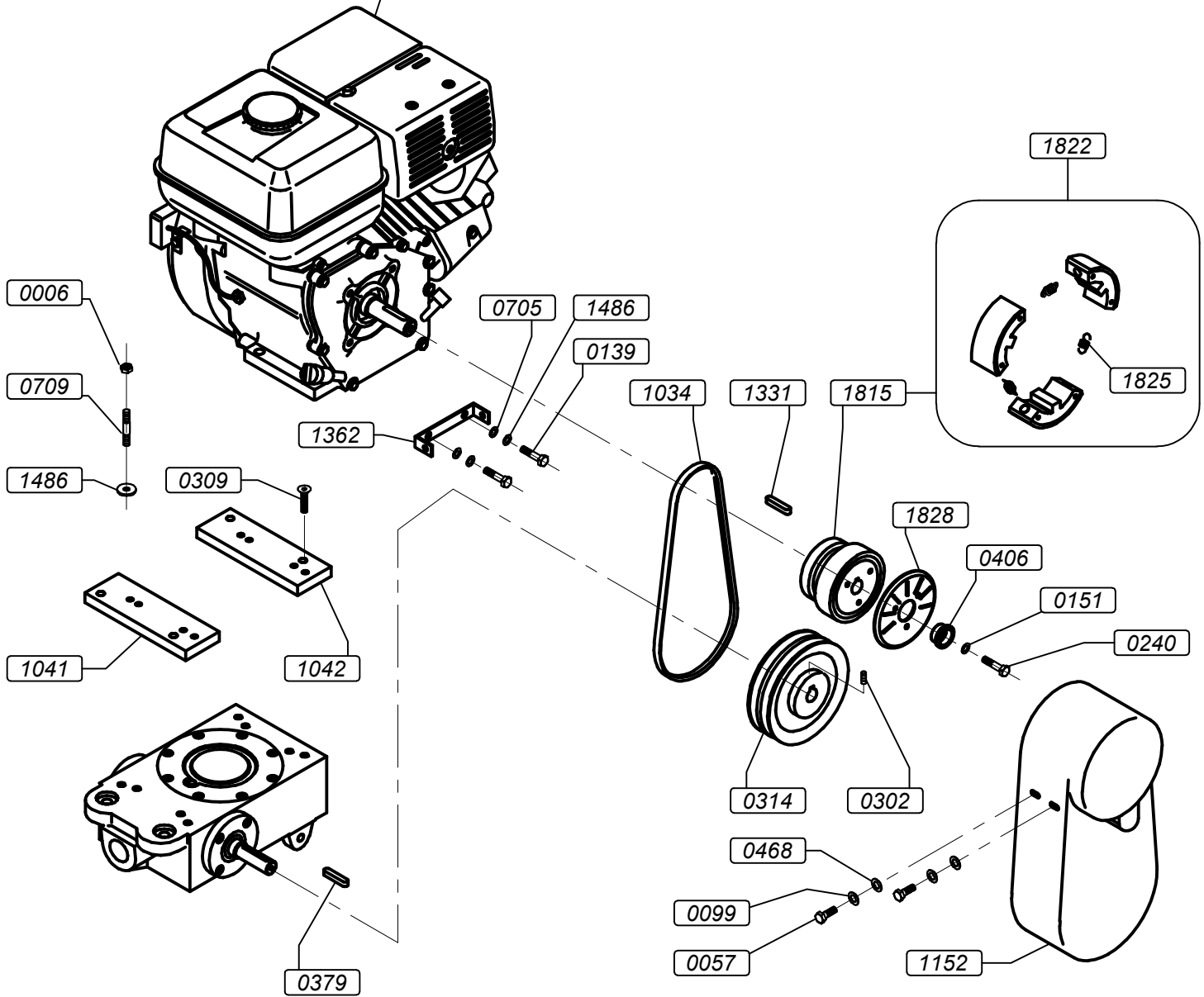
| COD. | DESCRIZIONE (I) | DESCRIPTION (GB) |
|-------------|---|------------------------------------|
| 0057 | VITE TE 6x12 5739 Z.B. | HEXAGONAL SCREW 6X12 5739 |
| 0064 | RONDELLA GROWER 10 - Z.B. | GROWER WASHER 10 |
| 0099 | RONDELLA GROWER D. 6 Z.B. | GROWER WASHER D.6 |
| 0145 | RONDELLA PIANA 10x21 6592 Z.B. | PLAIN WASHER 10X21 6592. |
| 0151 | RONDELLA GROWER 12 ZB | GROWER WASHER 12 |
| 0161 | VITE TE 10x35 5737 Z.B. | SCREW TE 10X35 5737 |
| 0226 | VITE TE UNF 5/16 X 3/4 | TE SCREW UNF 5/16 X 3/4 |
| 0240 | VITE TE UNF 7/16x2"1/4 | SCREW 7/16 X 2" 1/4 |
| 0302 | GRANO M6x16 - 5927 | DOWEL M6X16 5927 |
| 0304 | SUPPOR.MOTORE POST. | REAR ENGINE BRAKET |
| 0305 | SUPPOR. MOTORE ANT. | FRONT MOTOR BRACKET |
| 0309 | VITE VSP 10x25 - 5933 Z.B. | HEXAGONAL SCREW VSP 10X25 5933 |
| 0314 | PULEGGIA ALL/GHISA 140x2A D.20H7 | CAST IRON PULLEY 140X2A D.20H7 |
| 0316 | CINGHIA OPTIBELT A29 | BELT OPTIBELT A29 |
| 0379 | CHIAVETTA 6X6X35 - 6604 C45 | SMALL KEY 6X6X35 |
| 0406 | BOCCOLA FISSAG. FRIZ. PAF 105 | BUSH FOR PAF 105 |
| 0468 | RONDELLA 6x18X1,5 Z.B. | PLAIN WASHER 6x18X1,5 |
| 0705 | RONDELLA PIANA D. 8 Z.B. | PLAIN WASHER D8 |
| 10001 | PULEGGIA PREDISP.100x2A SPA 20H7 + 1610 F20 | PULLEY .100x2A SPA 20H7 + 1610 F20 |
| 1152 | CARTER PR.CINGHIA 4-120 H=135 | BELT PROTECTION GUARD 4-120 H=135 |
| 1362 | STAFFA CARTER PR.CING.4-90/120 | SUPPORT FOR BELT GUARD |
| 1486 | RONDELLA ZIGRINATA D.8 Z.B. | WASH PLAIN D.8 |
| 1627 | CINGHIA OPTIBELT A26 | BELT OPTIBELT A26 |
| 1815 | FRIZIONE 105 D.25,4 (1") | CLUTCH 105 D.25,4 (1") |
| 1822 | SERIE MASSE FRIZIONE BARIKELL | SERIES OF CLUTCH MASSES |
| 1825 | MOLLA X FRIZIONE BARIKELL 105 | SPRING FOR BARIKELL CLUTCH 105 |
| 1828 | COPERCHIO FRIZIO.BARIKELL 105 | CLUTCH COVER BARIKELL 105 |
| 4310 | MOTORE HONDA GX270UT 9HP QX-Q4 | HONDA ENGINE GX270 9HP |
| 4360 | MOTORE ROBIN/SUBARU EX27 9HP | ROBIN/SUBARU ENGINE EX27 9HP |



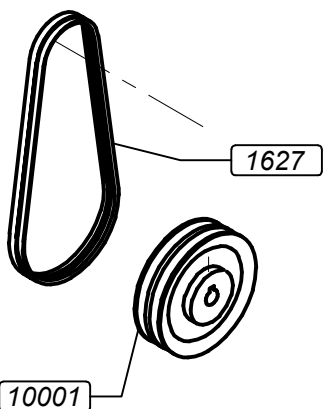
4-120 / 5-120

TABLE TAVOLA **C2**

4400 ENGINE / MOTORE B&S VANGUARD 14HP



KIT 180 RPM
(NO ENGINE 5.5HP)



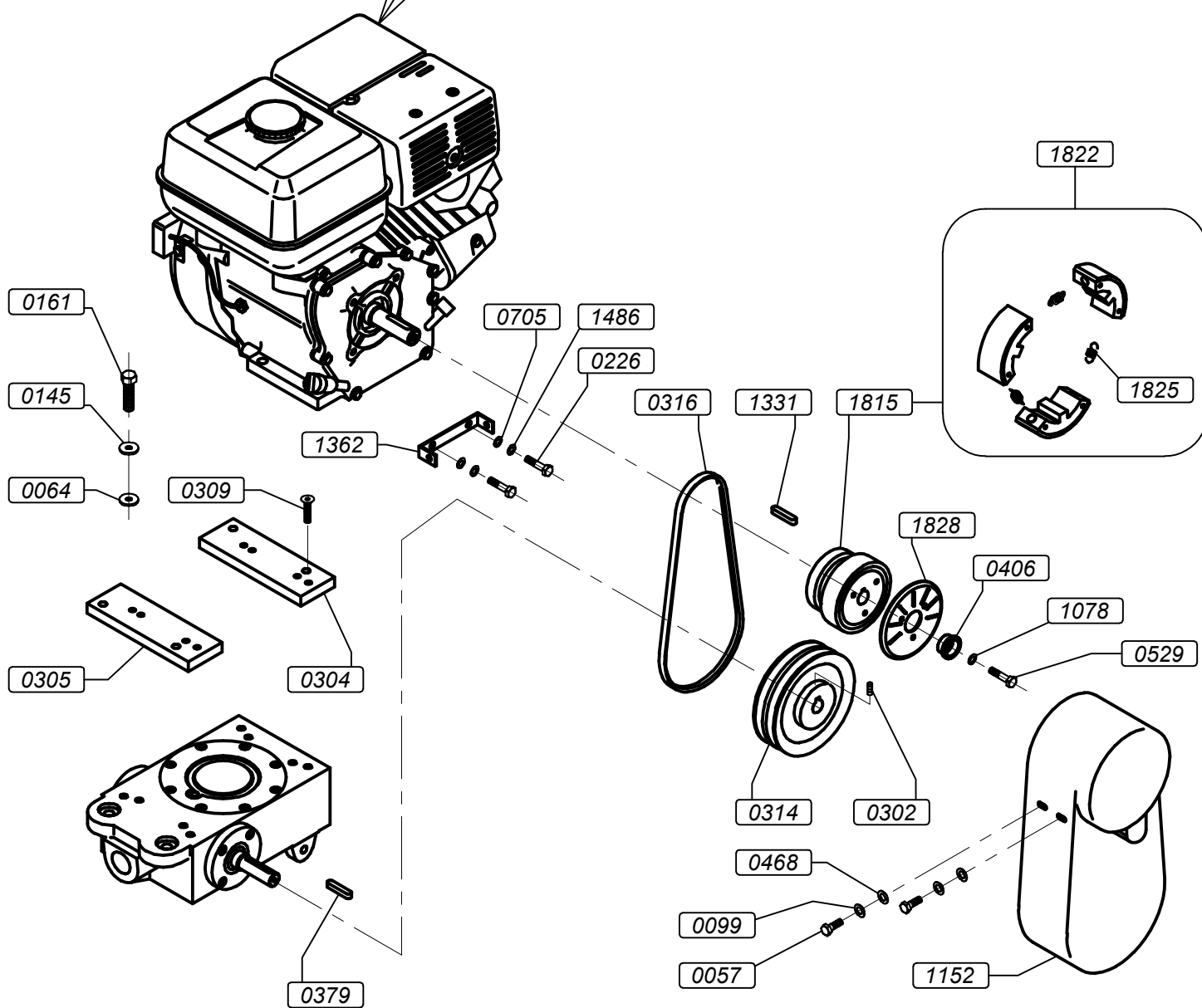
| COD. | DESCRIZIONE (I) | DESCRIPTION (GB) |
|-------------|---|------------------------------------|
| 0006 | DADO M8 UNI 5588 Z.B. | NUT M8 UNI 5588 |
| 0057 | VITE TE 6x12 5739 Z.B. | HEXAGONAL SCREW 6X12 5739 |
| 0099 | RONDELLA GROWER D. 6 Z.B. | GROWER WASHER D.6 |
| 0139 | VITE TE 8x16 UNI 5739 Z.B. | HEXAGONAL SCREW 8X16 |
| 0151 | RONDELLA GROWER 12 ZB | GROWER WASHER 12 |
| 0240 | VITE TE UNF 7/16x2"1/4 | SCREW 7/16 X 2" 1/4 |
| 0302 | GRANO M6x16 - 5927 | DOWEL M6X16 5927 |
| 0309 | VITE VSP 10x25 - 5933 Z.B. | HEXAGONAL SCREW VSP 10X25 5933 |
| 0314 | PULEGGIA ALL/GHISA 140x2A D.20H7 | CAST IRON PULLEY 140X2A D.20H7 |
| 0379 | CHIAVETTA 6X6X35 - 6604 C45 | SMALL KEY 6X6X35 |
| 0406 | BOCCOLA FISSAG. FRIZ. PAF 105 | BUSH FOR PAF 105 |
| 0468 | RONDELLA 6x18X1,5 Z.B. | PLAIN WASHER 6x18X1,5 |
| 0705 | RONDELLA PIANA D. 8 Z.B. | PLAIN WASHER D8 |
| 0709 | PRIGIONIERO M8 L=40 Z.B. | TIE ROD M8 L=40 |
| 10001 | PULEGGIA PREDISP.100x2A SPA 20H7 + 1610 F20 | PULLEY .100x2A SPA 20H7 + 1610 F20 |
| 1034 | CINGHIA PIBELT A28 X B&S 7,5HP | BELT PIBELT A28 X B&S 7,5HP |
| 1041 | SUPPOR. MOTORE ANT. | FRONT MOTOR BRACKET |
| 1042 | SUPPOR.MOTORE POST. | REAR ENGINE BRAKET |
| 1152 | CARTER PR.CINGHIA 4-120 H=135 | BELT PROTECTION GUARD 4-120 H=135 |
| 1331 | CHIAVETTA 38,1x6,3x6,3 B.& S | SMALL KEY 38,1X6,3X6,3 B.& S |
| 1362 | STAFFA CARTER PR.CING.4-90/120 | SUPPORT FOR BELT GUARD |
| 1486 | RONDELLA ZIGRINATA D.8 Z.B. | WASH PLAIN D.8 |
| 1627 | CINGHIA OPTIBELT A26 | BELT OPTIBELT A26 |
| 1815 | FRIZIONE 105 D.25,4 (1") | CLUTCH 105 D.25,4 (1") |
| 1822 | SERIE MASSE FRIZIONE BARIKELL | SERIES OF CLUTCH MASSES |
| 1825 | MOLLA X FRIZIONE BARIKELL 105 | SPRING FOR BARIKELL CLUTCH 105 |
| 1828 | COPERCHIO FRIZIO.BARIKELL 105 | CLUTCH COVER BARIKELL 105 |
| 4400 | MOTORE B.&S.VANGUARD 14HP | B&S VANGUARD ENGINE 14HP |



4-120 / 5-120

TABLE TAVOLA C3

- 4320 ENGINE / MOTORE HONDA GX390
- 4315 ENGINE / MOTORE HONDA GX340
- 4367 ENGINE / MOTORE ROBIN EX40



**KIT 180 RPM
(NO ENGINE 5.5HP)**

1627

10001

| COD. | DESCRIZIONE (I) | DESCRIPTION (GB) |
|-------------|---|------------------------------------|
| 0057 | VITE TE 6x12 5739 Z.B. | HEXAGONAL SCREW 6X12 5739 |
| 0064 | RONDELLA GROWER 10 - Z.B. | GROWER WASHER 10 |
| 0099 | RONDELLA GROWER D. 6 Z.B. | GROWER WASHER D.6 |
| 0145 | RONDELLA PIANA 10x21 6592 Z.B. | PLAIN WASHER 10X21 6592. |
| 0161 | VITE TE 10x35 5737 Z.B. | SCREW TE 10X35 5737 |
| 0226 | VITE TE UNF 5/16 X 3/4 | TE SCREW UNF 5/16 X 3/4 |
| 0302 | GRANO M6x16 - 5927 | DOWEL M6X16 5927 |
| 0304 | SUPPOR.MOTORE POST. | REAR ENGINE BRAKET |
| 0305 | SUPPOR. MOTORE ANT. | FRONT MOTOR BRACKET |
| 0309 | VITE VSP 10x25 - 5933 Z.B. | HEXAGONAL SCREW VSP 10X25 5933 |
| 0314 | PULEGGIA ALL/GHISA 140x2A D.20H7 | CAST IRON PULLEY 140X2A D.20H7 |
| 0316 | CINGHIA OPTIBELT A29 | BELT OPTIBELT A29 |
| 0379 | CHIAVETTA 6X6X35 - 6604 C45 | SMALL KEY 6X6X35 |
| 0406 | BOCCOLA FISSAG. FRIZ. PAF 105 | BUSH FOR PAF 105 |
| 0468 | RONDELLA 6x18X1,5 Z.B. | PLAIN WASHER 6x18X1,5 |
| 0529 | VITE TE UNF 3/8x1"3/4 | SCREW TE UNF 3/8x1"3/4 |
| 0705 | RONDELLA PIANA D. 8 Z.B. | PLAIN WASHER D8 |
| 10001 | PULEGGIA PREDISP.100x2A SPA 20H7 + 1610 F20 | PULLEY .100x2A SPA 20H7 + 1610 F20 |
| 1078 | RONDELLA ZIGRIN.D10 ZINC.B. | PLAIN WASHER D.10 |
| 1152 | CARTER PR.CINGHIA 4-120 H=135 | BELT PROTECTION GUARD 4-120 H=135 |
| 1331 | CHIAVETTA 38,1x6,3x6,3 B.& S | SMALL KEY 38,1X6,3X6,3 B.& S |
| 1362 | STAFFA CARTER PR.CING.4-90/120 | SUPPORT FOR BELT GUARD |
| 1486 | RONDELLA ZIGRINATA D.8 Z.B. | WASH PLAIN D.8 |
| 1627 | CINGHIA OPTIBELT A26 | BELT OPTIBELT A26 |
| 1815 | FRIZIONE 105 D.25,4 (1") | CLUTCH 105 D.25,4 (1") |
| 1822 | SERIE MASSE FRIZIONE BARIKELL | SERIES OF CLUTCH MASSES |
| 1825 | MOLLA X FRIZIONE BARIKELL 105 | SPRING FOR BARIKELL CLUTCH 105 |
| 1828 | COPERCHIO FRIZIO.BARIKELL 105 | CLUTCH COVER BARIKELL 105 |
| 4315 | MOTORE HONDA GX340UT2 11HP | HONDA ENGINE GX 340 11 HP |
| 4320 | MOTORE HONDA GX390UT2 13HP A/S | HONDA ENGINE GX390 UT2 13HP |
| 4367 | MOTORE ROBIN EX40 14HP A/STRAP | ROBIN/SUBARUN ENGINE EX40 |

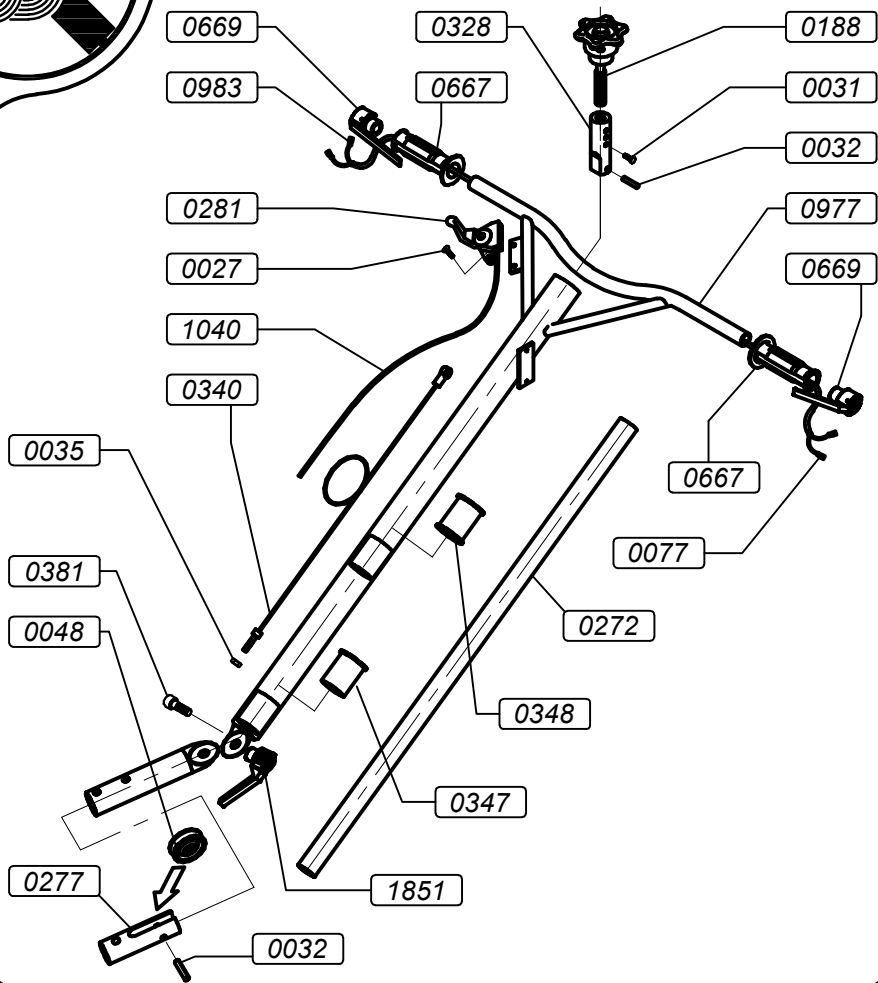


4-120 / 5-120

TABLE
TAVOLA **D1**

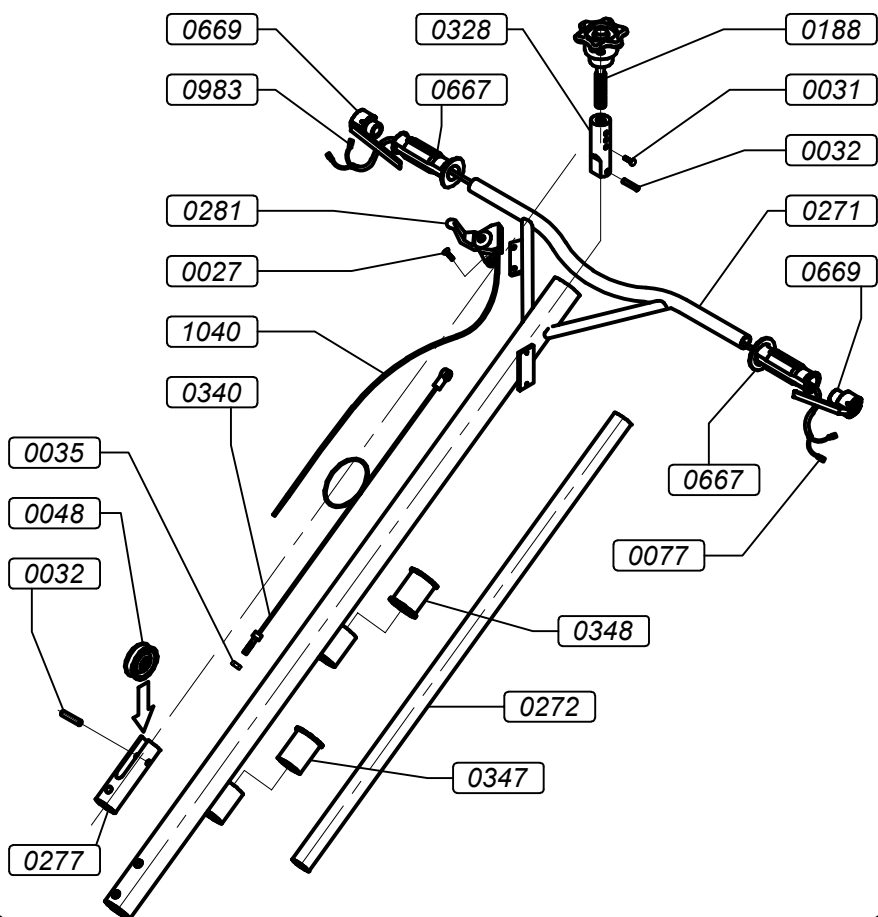
OPTIONAL

COMPLETE FOLDING HANDLE
MANICO COMPLETO PIEGHEVOLE

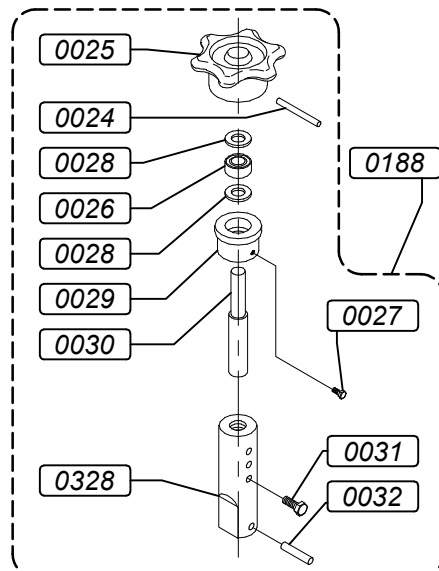


1744

COMPLETE LONG HANDLE
MANICO COMPLETO LUNGO



1083



| COD. | DESCRIZIONE (I) | DESCRIPTION (GB) |
|-------------|--|--|
| 0024 | SPINA ELASTICA 6x60 DIN 1481 | SPRING PIN 6X60 DIN 1481 |
| 0025 | MANOPOLA ALZAPALE | BLADE LIFTING KNOB |
| 0026 | CUSCINETTO REGGISPINTA AXK1528 | STEP BEARING AXK1528 |
| 0027 | VITE TCCE 5x10 5931 Z.B. | SOCKET CAP SCREW 5X10 |
| 0028 | RALLA AS 1528 | BEARING RING AS 1528 |
| 0029 | ANELLO PORTACUSC.REGGISPINTA | BEARING RING D.48 |
| 0030 | PERNO FILETTATO x REGIST. PALE | THREADED PIN TO |
| 0031 | VITE TCCE 6x10 5931 Z.B. | SOCKET CAP SCREW |
| 0032 | SPINA CILINDRICA 8x40 UNI 1707 | CYLINDRICAL PIN 8X40 |
| 0035 | DADO BLOKM10 -985 - Z.B. | BLOCK NUT M10 - 985 |
| 0048 | CARRUCOLA GUIDA CAVO Z.B. | CABLE GUIDE PULLEY |
| 0077 | FILO ELETTRICO L=2600 MAN.CO,LUN, MOSQ | ELECTRIC CABLE L=2600 |
| 0188 | GRUPPO ALZAPALE PER 4-90/4-120 | BLADE LIFTER UNIT 4-90/120 |
| 0271 | MANICO LUNGO CROM. 4-90/4-120 | LONG HANDLE-ONLY HANDLE- |
| 0272 | TUBO TRASPORTO 33X2,8 L=595 | TRANSPORTER ASSY 33X2.8 L=595 |
| 0277 | SUPPORTO CARRUCOLA | PULLEY SUPPORT |
| 0281 | LEVA ACCELERATORE METALLO | THROTTLE METAL LEVER FOR ACC |
| 0328 | ATTACCO SUPERIORE x CAVO DI REGISTRO | UPPER COUPLING FOR REGISTER |
| 0340 | CAVO D.4x49x1425 C/TERM.MAN. LUNGO | LONG CABLE D.4X49X1425 |
| 0347 | BUSSOLA CHIUSA IN GOMMA | CLOSED RUBBER BUSH |
| 0348 | BUSSOLA APERTA IN GOMMA | OPEN RUBBER BUSH |
| 0381 | VITE VSP 12x80 5933 Z.B. | SCREW 12X80 5933 |
| 0667 | MANOPOLA D. 22 APERTA RIF.1MA04005 | OPEN KNOB D.22 |
| 0669 | DISP.SIC.BENZ.D.18 S/GANCIO (1DS01005) | DEADMAN SWITCH PETROL LEVEL D.18 |
| 0977 | MANICO LUNGO X PIEG.4-90/4-120 | LONG HANDLE FOR FOLDABLE HANDLE 4-90/4-1 |
| 0983 | FILO ELETTRICO L=680 + G.COR MA.L+C+MOSK | ELECTRIC CABLE L=680 |
| 1040 | FILO C/GUAINA 1,5x1900x1800 - | CABLE SHEATH 1,5x1900x1800 |
| 1083 | MANICO L.COMPL.4-90/120 AC.FE. | COMPLETE LONG HANDLE 4-90/120 |
| 1744 | MANICO COMPL.PIEGH.4-90/4-120 | COMPLETE FOLDABLE HANDLE 4-90/4-120 |
| 1851 | LEVA BLOCCA MANICO PIEGHEVOLE | FOLDABLE HANDLE LEVER BLOCK |

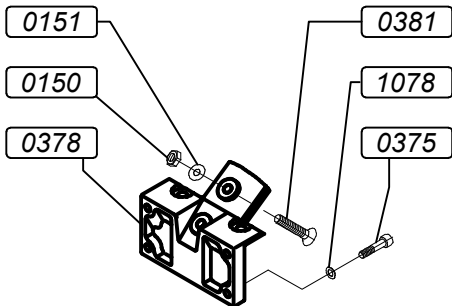


OPTIONAL

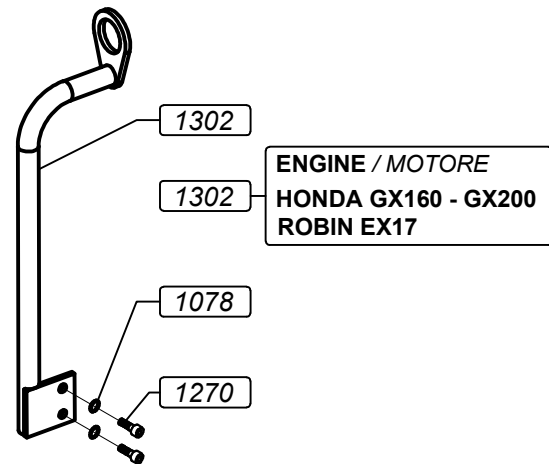
4-120 / 5-120

**TABLE
TAVOLA D2**

**FLANGE FOR LONG HANDLE
FLANGIA PER MANICO LUNGO**

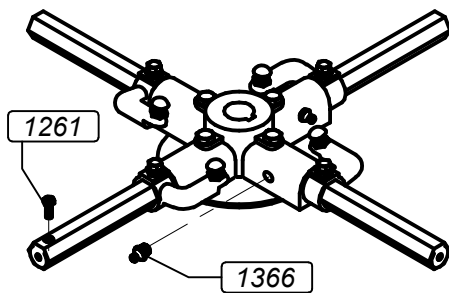


**LIFTING HOOK
GANCIO DI SOLLEVAMENTO**



**COMPLETE CRUISE 4-120 WITH GREASERS,
ARMS AND ADJUSTMENT SCREWS**

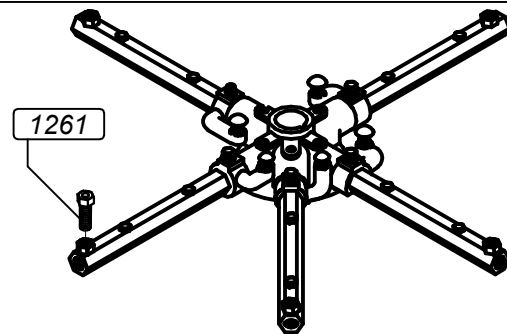
*CROCIERA COMPLETA 4-120 CON INGRASSATORI,
BRACCI E VITI DI REGISTRO*



1495

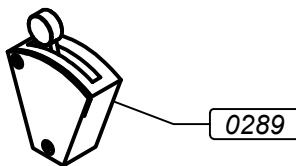
**COMPLETE CRUISE 5-120 WITH GREASERS,
ARMS AND ADJUSTMENT SCREWS**

*CROCIERA COMPLETA 5-120 CON INGRASSATORI,
BRACCI E VITI DI REGISTRO*

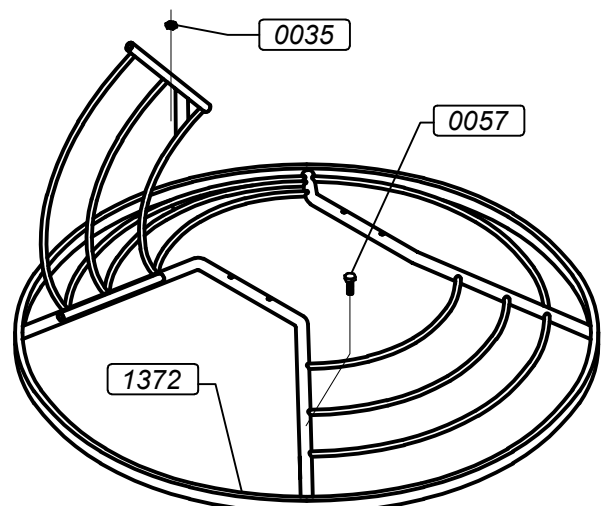


10054

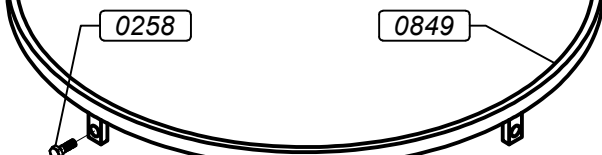
**EMERGENCY SWITCH
INTERRUTTORE DI EMERGENZA**



**OPENABLE PROTECTION CIRCLE
CERCHIO DI PROTEZIONE APRIBILE**



**STABILIZER CIRCLE
CERCHIO STABILIZZATORE**



| COD. | DESCRIZIONE (I) | DESCRIPTION (GB) |
|-------------|--|--|
| 0035 | DADO BLOKM10 -985 - Z.B. | BLOCK NUT M10 - 985 |
| 0057 | VITE TE 6x12 5739 Z.B. | HEXAGONAL SCREW 6X12 5739 |
| 0150 | DADO M12 BASSO 5589 Z.B. | LOW NUT M12 5589 |
| 0151 | RONDELLA GROWER 12 ZB | GROWER WASHER 12 |
| 0258 | VITE TCCE 8x16 UNI 5931 Z.B. 12.9 | SOCKET CAP SCREW 8X16 5931 |
| 0289 | INTERRUTTORE DI EMERGENZA COMPLETO | EMERGENCY SWITCH COMPLETE |
| 0375 | VITE TCCE 10x35 Z.B. UNI 5931 | SCREW TCCE 10X35 5931 |
| 0378 | FLANGIA PORTA MANICO LUNGO | LONG SLEEVE FLANGE |
| 0381 | VITE VSP 12x80 5933 Z.B. | SCREW 12X80 5933 |
| 0849 | CERCHIO STABILIZZATORE 4-120 | STABILISER RING 4-120 |
| 10054 | CROCERA COMPL. 5-120 CON VITE REGISTRO | COMPLETE SPIDERPLATE 4-120 WITH REGISTER SCREW |
| 1078 | RONDELLA ZIGRIN.D10 ZINC.B. | PLAIN WASHER D.10 |
| 1261 | VITE FORATA CH.17 L=40 M16X1,5 | SCREW CH.17 L=40 M16X1,5 |
| 1270 | VITE TCCE 10x45 Z.B. | SCREW TCCE10X45 Z.B. |
| 1302 | GANCIO SOLLEVAMENTO 4-90/4-120 | LIFTING HOOK 4-90/4-120 |
| 1366 | INGRASSATORE M8X1,25 | GREASER M8X1,25 |
| 1372 | CERCHIO PROTEZ.APRIBILE 4-120 | OPENING PROTECTION RING 4-120 |
| 1495 | CROC. COMP. 4-120 C/FOR.REGISTRO | COMPLETE SPIDER 4-120 |