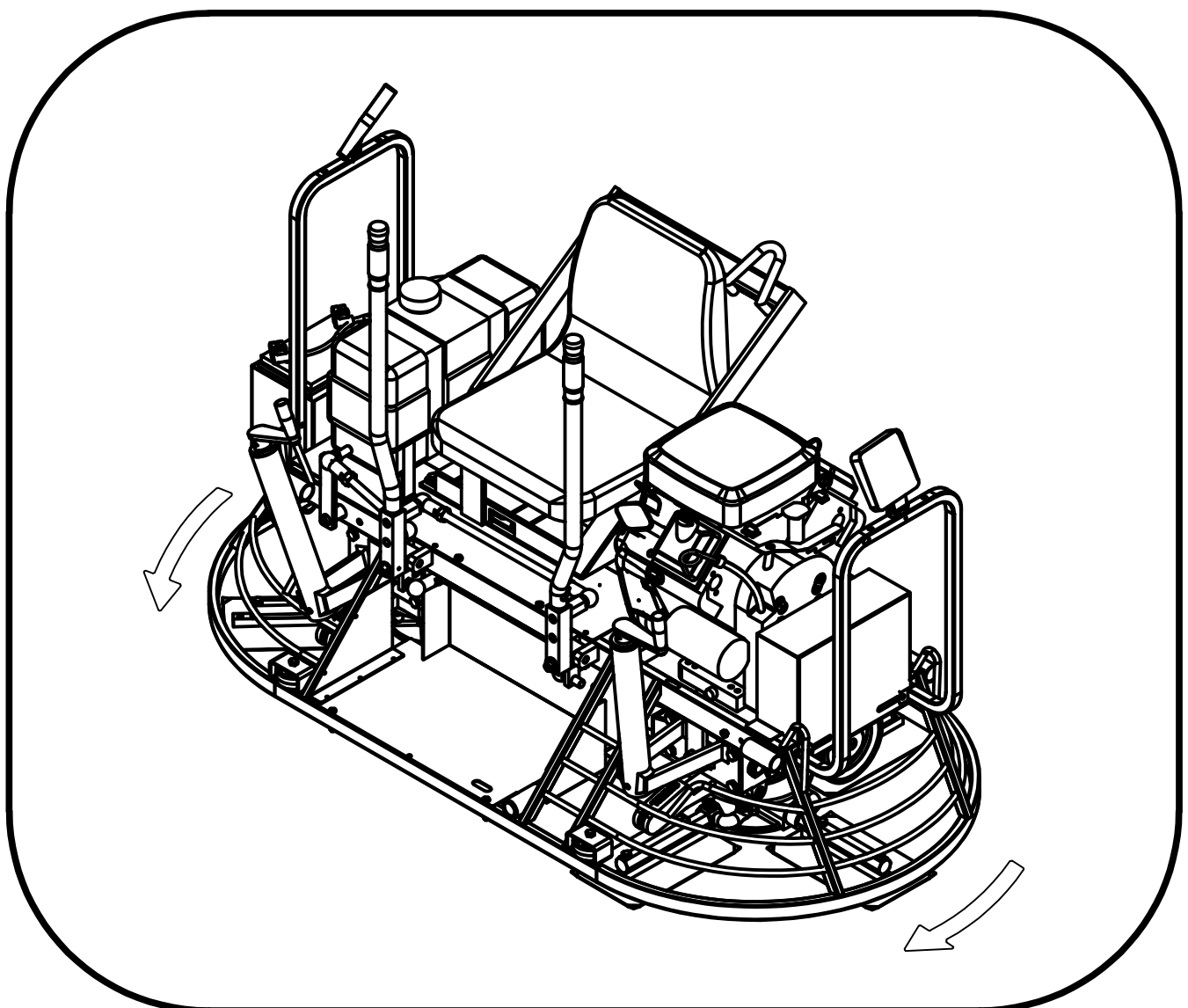


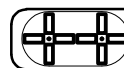


BARIKELL

SPARE PART LIST MANUAL *MANUALE ELENCO PARTI DI RICAMBIO*

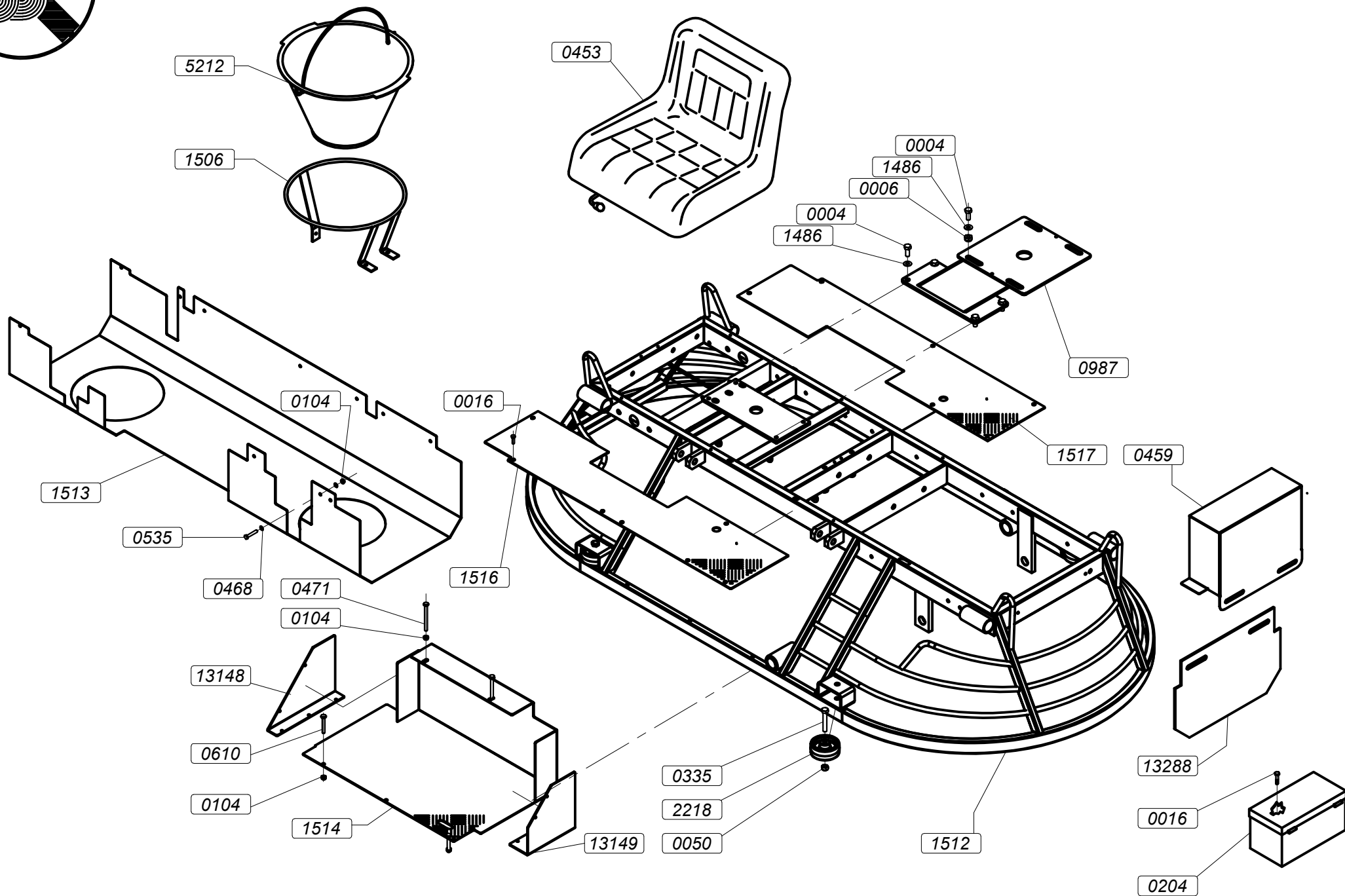
RIDE ON TROWEL MK8-75
FRATTAZZATRICE MK8-75





MK8-75

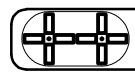
**TABLE
TAVOLA A1**



COD.	DESCRIZIONE (I)	DESCRIPTION (GB)
0004	VITE TE 8x20 UNI 5739 Z.B.	HEXAGONAL SCREW 8X20
0006	DADO M8 UNI 5588 Z.B.	NUT M8 UNI 5588 GALVANIZED WHITE
0016	VITE AUTOFIL.4,8X16 UNI 6950	SELF-TAPPING SCREW 4,8X16 UNI 6950
0050	DADO BLOKM8 DIN 985 Z.B.	SELF-LOCKING NUT M8 DIN 985 GALVANIZED WHITE
0104	DADO BLOKM6 -DIN 985 Z.B.	SELF-LOCKING NUT M6 -DIN 985 GALVANIZED WHITE
0204	CASSETTA PORTA ATTREZZI	TOOL BOX
0335	VITE TE 8x50 5737 ZB 10.9	SCREW HEX HEAD 8x50 5737 GALVANIZED WHITE
0453	SEDILE GT60 MK8-75 C/GUIDE	DRIVER SEAT GT60 MK8-75
0459	CARTER PROTEZ.CINGHIA MK8-75	GUARD BELT MK8-75
0468	RONDELLA 6x18X1,5 Z.B.	WASHER 6x18X1,5 GALVANIZED WHITE
0471	VITE TE 6x65 5737 Z.B.	SCREW HEX HEAD 6x65 5737 GALVANIZED WHITE
0535	VITE TE 6x35 UNI 5737 Z.B.	SCREW HEX HEAD 6x35 UNI 5737 GALVANIZED WHITE
0610	VITE TE 6x40 UNI 5737 Z.B.	SCREW HEX HEAD 6x40 UNI 5737 GALVANIZED WHITE
0987	PIANTONE SEDILE	SEAT SUPPORT
13148	CARTER PROTEZIONE DX MK8-75	CARTER PROTECTION DX MK8-75
13149	CARTER PROTEZIONE SX MK8-75	CARTER PROTECTION SX MK8-75
13288	CARTER PROT.CINGHIA INFERIORE	LOWER GUARD BELT
1486	RONDELLA ZIGRINATA D.8 Z.B.	WASHER D.8 GALVANIZED WHITE
1506	PORTASECCHIO PER MK8-75 Z.B.	BUCKET HOLDER
1512	TELAIO PROTEZ.MK8-75	PROTECTION FRAME MK8-75
1513	TUNNEL PROT.MK8-75	PROTECTION TUNNEL MK8-75
1514	PEDANA APPOG.PIEDI MK8-75	FOOT BOARD MK8-75
1516	PEDANA SUPER.ANTER.MK8-75	FRONT BOARD MK8-75
1517	PEDANA SUPER.POSTER.MK8-75	REAR BOARD MK8-75
2218	RUOTA IN NYLON BIANCO D.60X22	WHITE NYLON WHEEL D.60X22
5212	SECCHIO PLASTICA COLORE NERO	BLACK BUCKET

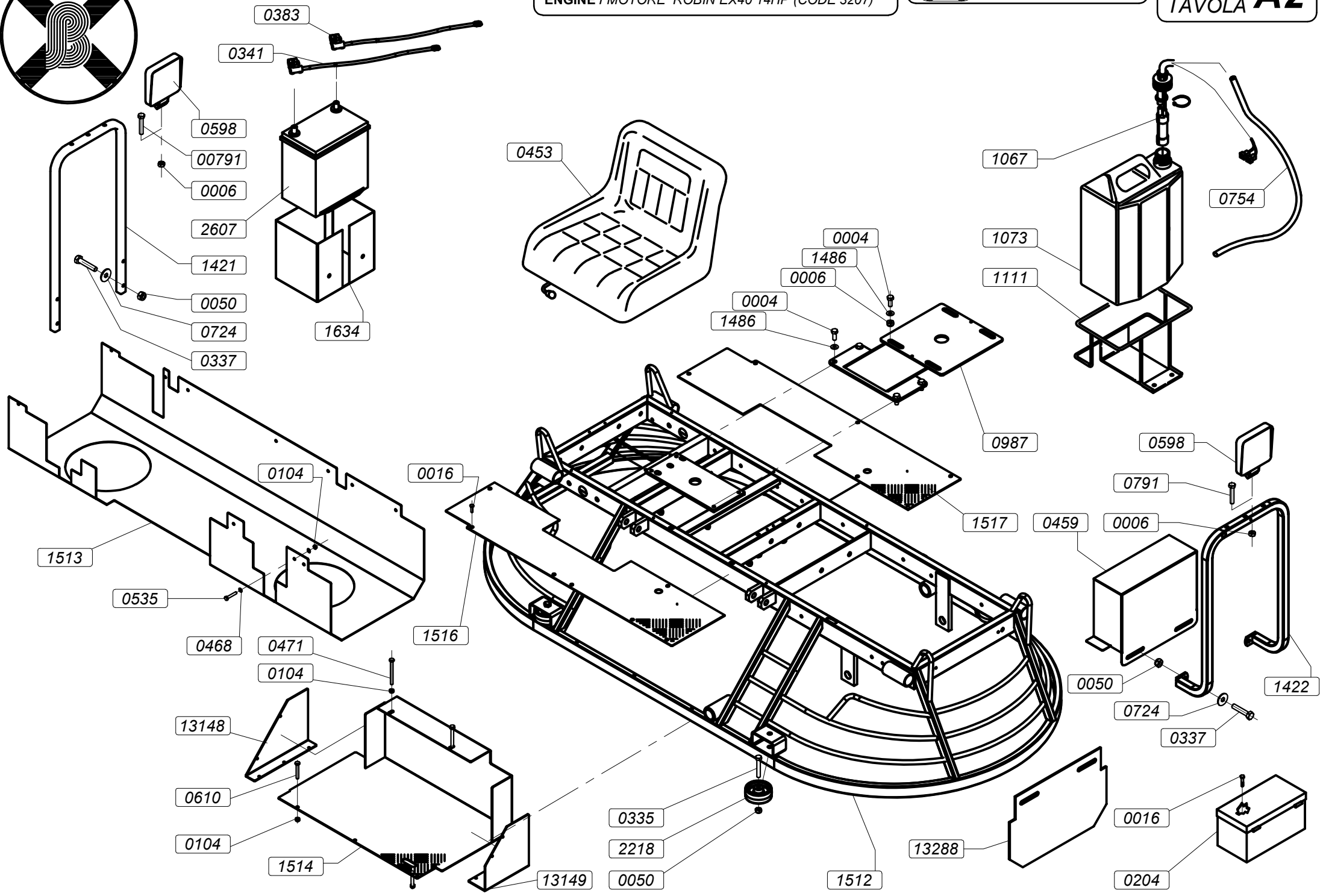


ENGINE / MOTORE HONDA GX390 13HP (CODE 3206)
ENGINE / MOTORE ROBIN EX40 14HP (CODE 3207)

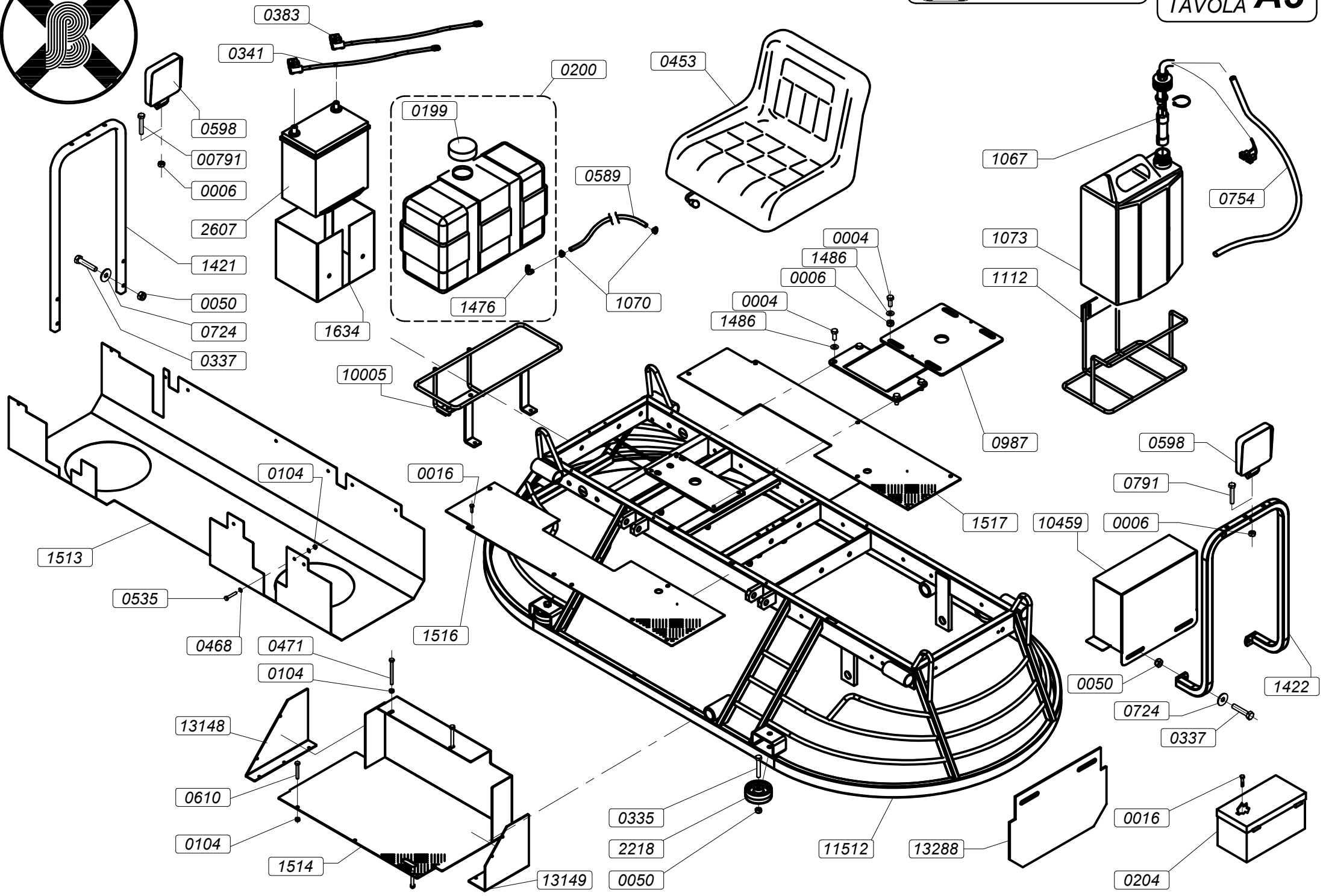
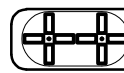


MK8-75

**TABLE
TAVOLA A2**

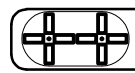


COD.	DESCRIZIONE (I)	DESCRIPTION (GB)
0004	VITE TE 8x20 UNI 5739 Z.B.	HEXAGONAL SCREW 8X20
0006	DADO M8 UNI 5588 Z.B.	NUT M8 UNI 5588 GALVANIZED WHITE
0016	VITE AUTOFIL.4,8X16 UNI 6950	SELF-TAPPING SCREW 4,8X16 UNI 6950
0050	DADO BLOKM8 DIN 985 Z.B.	SELF-BLOCKING NUT M8 DIN 985 GALVANIZED WHITE
0104	DADO BLOKM6 -DIN 985 Z.B.	SELF-BLOCKING NUT M6 -DIN 985 GALVANIZED WHITE
0204	CASSETTA PORTA ATTREZZI	TOOL BOX
0335	VITE TE 8x50 5737 ZB 10.9	SCREW HEX HEAD 8x50 5737 GALVANIZED WHITE
0337	VITE TE 8x40 5737 Z.B.	SCREW HEX HEAD 8x40 5737 GALVANIZED WHITE
0341	CAVO POSITIVO X DOPPIE L=2000	BATTERY CABLE POSITIVE L=2000
0383	CAVO NEGAT.C/MORS.BAT.27160	BATTERY CABLE NEGATIVE 27160
0453	SEDILE GT60 MK8-75 C/GUIDE	DRIVER SEAT GT60 MK8-75
0459	CARTER PROTEZ.CINGHIA MK8-75	GUARD BELT MK8-75
0468	RONDELLA 6x18X1,5 Z.B.	WASHER 6x18X1,5 GALVANIZED WHITE
0471	VITE TE 6x65 5737 Z.B.	SCREW HEX HEAD 6x65 5737 GALVANIZED WHITE
0535	VITE TE 6x35 UNI 5737 Z.B.	SCREW HEX HEAD 6x35 5737 GALVANIZED WHITE
0598	FARO LED	LED HEADLIGHT
0610	VITE TE 6x40 UNI 5737 Z.B.	SCREW HEX HEAD 6x40 UNI 5737 GALVANIZED WHITE
0724	RONDELLA 8x24 - ZINCATA BIANCA	WASHER 8x24 - GALVANIZED WHITE
0754	TUBO ARMORVIN HNA 10 RIF. RPQ0191	PIPE ARMORVIN HNA 10 RIF. RPQ0191
0791	VITE TE 8x45 UNI 5737 Z.B.	SCREW HEX HEAD 8x45 UNI 5737 Z.B.
0987	PIANTONE SEDILE OL90/120 MK8-75/90/120	SEAT SUPPORT OL90/120 MK8-75/90/120
1067	POMPA ACQUA 12.V+CONNETTORE	WATER PUMP 12.V+CONNECTOR
1073	TANICA ACQUA LT.15 CCC0206	WATER TANK LT.15 CCC0206
1111	PORTA TANICA	SUPPORT FUEL TANK
13148	CARTER PROTEZIONE DX MK8-75	CARTER PROTECTION MK8-75 RIGHT
13149	CARTER PROTEZIONE SX MK8-75	CARTER PROTECTION MK8-75 LEFT
13288	CARTER PROTEZ.INFER.CINGHIA MK8-75	LOWER GUARD BELT
1421	SUPPORTO FARO DESTRO	RIGHT HEADLIGHT SUPPORT
1422	SUPPORTO FARO SINISTRO	LEFT HEADLIGHT SUPPORT
1486	RONDELLA ZIGRINATA D.8 Z.B.	WASHER D.8 GALVANIZED WHITE
1512	TELAIO PROTEZ.MK8-75	PROTECTION FRAME MK8-75
1513	TUNNEL PROT.MK8-75	PROTECTION TUNNEL MK8-75
1514	PEDANA APPOG.PIEDI MK8-75	FOOT BOARD MK8-75
1516	PEDANA SUPER.ANTER.MK8-75	FRONT BOARD MK8-75
1517	PEDANA SUPER.POSTER.MK8-75	REAR BOARD MK8-75
1634	SCATOLA PORTABATTERIA MK8-75	BATTERY HOLDER BOX MK8-75
2218	RUOTA IN NYLON BIANCO D.60X22	WHITE NYLON WHEEL D.60X22
2607	BATTERIA 12V 35AH EUROSTAR DX	BATTERY 12V 35AH EUROSTAR DX



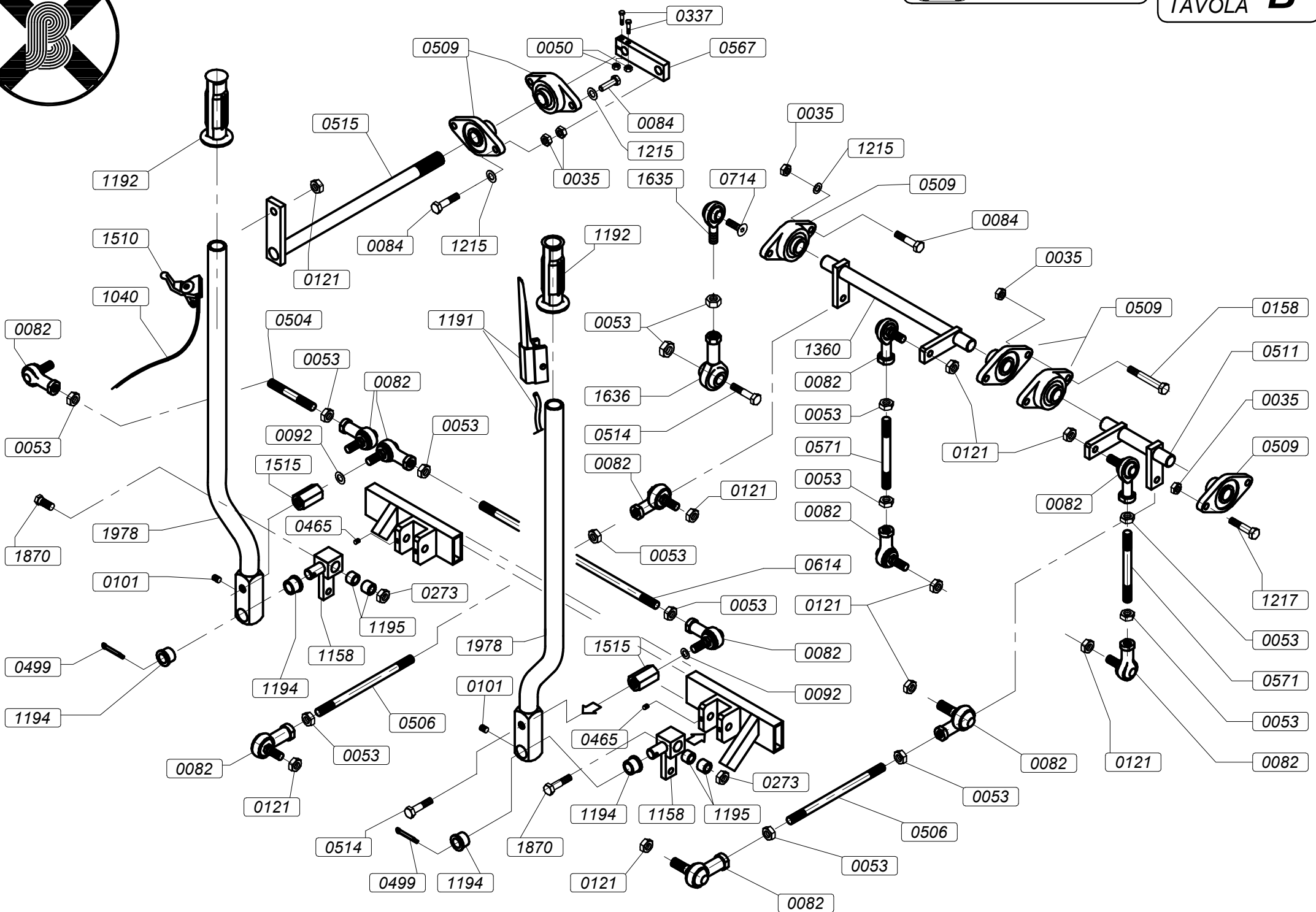
COD.	DESCRIZIONE (I)	DESCRIPTION (GB)
0004	VITE TE 8x20 UNI 5739 Z.B.	HEXAGONAL SCREW 8X20
0006	DADO M8 UNI 5588 Z.B.	NUT M8 UNI 5588 GALVANIZED WHITE
0016	VITE AUTOFIL.4,8X16 UNI 6950	SELF-TAPPING SCREW 4,8X16 UNI 6950
0050	DADO BLOKM8 DIN 985 Z.B.	SELF-BLOCKING NUT M8 DIN 985 GALVANIZED WHITE
0104	DADO BLOKM6 -DIN 985 Z.B.	SELF-BLOCKING NUT M6 -DIN 985 GALVANIZED WHITE
0199	TAPPO SERBATOIO	TANK CAP
0200	SERBATOIO BENZINA C/RACCORDO 90° S/GUARN	COMPLETE PETROL TANK
0204	CASSETTA PORTA ATTREZZI	TOOL BOX
0335	VITE TE 8x50 5737 ZB 10.9	SCREW HEX HEAD 8x50 5737 GALVANIZED WHITE
0337	VITE TE 8x40 5737 Z.B.	SCREW HEX HEAD 8x40 5737 GALVANIZED WHITE
0341	CAVO POSITIVO X DOPPIE L=2000	BATTERY CABLE POSITIVE L=2000
0383	CAVO NEGAT.C/MORS.BAT.27160	BATTERY CABLE NEGATIVE 27160
0453	SEDILE GT60 MK8-75 C/GUIDE	DRIVER SEAT GT60 MK8-75
0468	RONDELLA 6x18X1,5 Z.B.	WASHER 6x18X1,5 GALVANIZED WHITE
0471	VITE TE 6x65 5737 Z.B.	SCREW HEX HEAD 6x65 5737 GALVANIZED WHITE
0535	VITE TE 6x35 UNI 5737 Z.B.	SCREW HEX HEAD 6x35 5737 GALVANIZED WHITE
0589	TUBO CARBOPRESS NV 8X14 ECO	FLEX PIPE NV 8X14 ECO
0598	FARO LED	LED HEADLIGHT
0610	VITE TE 6x40 UNI 5737 Z.B.	SCREW HEX HEAD 6x40 UNI 5737 GALVANIZED WHITE
0724	RONDELLA 8x24 - ZINCATA BIANCA	WASHER 8x24 - GALVANIZED WHITE
0754	TUBO ARMORVIN HNA 10 RIF. RPQ0191	PIPE ARMORVIN HNA 10 RIF. RPQ0191
0791	VITE TE 8x45 UNI 5737 Z.B.	SCREW HEX HEAD 8x45 UNI 5737 Z.B.
0987	PIANTONE SEDILE OL90/120 MK8-75/90/120	SEAT SUPPORT OL90/120 MK8-75/90/120
10005	PORTA TANICA BENZINA PER B&S 18HP S/SERB	PETROL TANK HOLDER
1067	POMPA ACQUA 12.V+CONNETTORE	WATER PUMP 12.V+CONNECTOR
10459	CARTER PROT.SUPER.CINGHIA MK8-75 B&S18HP	GUARD BELT MK8-75 B&S 18 HP
1070	FASCETTA VELOX 5 TUBO 8-19	CLAMP VELOX 5 8-19
1073	TANICA ACQUA LT.15 CCC0206	WATER TANK LT.15 CCC0206
1112	PORTA TANICA	SUPPORT FUEL TANK
13148	CARTER PROTEZIONE DX MK8-75	CARTER PROTECTION MK8-75 RIGHT
13149	CARTER PROTEZIONE SX MK8-75	CARTER PROTECTION MK8-75 LEFT
13288	CARTER PROTEZ.INFER.CINGHIA MK8-75	LOWER GUARD BELT
1421	SUPPORTO FARO DESTRO	RIGHT HEADLIGHT SUPPORT
1422	SUPPORTO FARO SINISTRO	LEFT HEADLIGHT SUPPORT
1476	RACCORDO PER SERBATOIO	TANK CONNECTION
1486	RONDELLA ZIGRINATA D.8 Z.B.	WASHER D.8 GALVANIZED WHITE
11512	TELAIO PROTEZ.MK8-75 B&S	PROTECTION FRAME MK8-75 B&S
1513	TUNNEL PROT.MK8-75	PROTECTION TUNNEL MK8-75
1514	PEDANA APPOG.PIEDI MK8-75	FOOT BOARD MK8-75
1516	PEDANA SUPER.ANTER.MK8-75	FRONT BOARD MK8-75

1517	PEDANA SUPER.POSTER.MK8-75	REAR BOARD MK8-75
1634	SCATOLA PORTABATTERIA MK8-75	BATTERY HOLDER BOX MK8-75
2218	RUOTA IN NYLON BIANCO D.60X22	WHITE NYLON WHEEL D.60X22
2607	BATTERIA 12V 35AH EUROSTAR DX	BATTERY 12V 35AH EUROSTAR DX

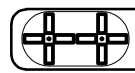
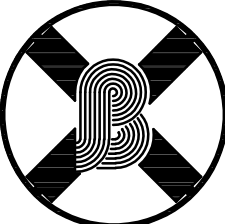


MK8-75

**TABLE
TAVOLA B**

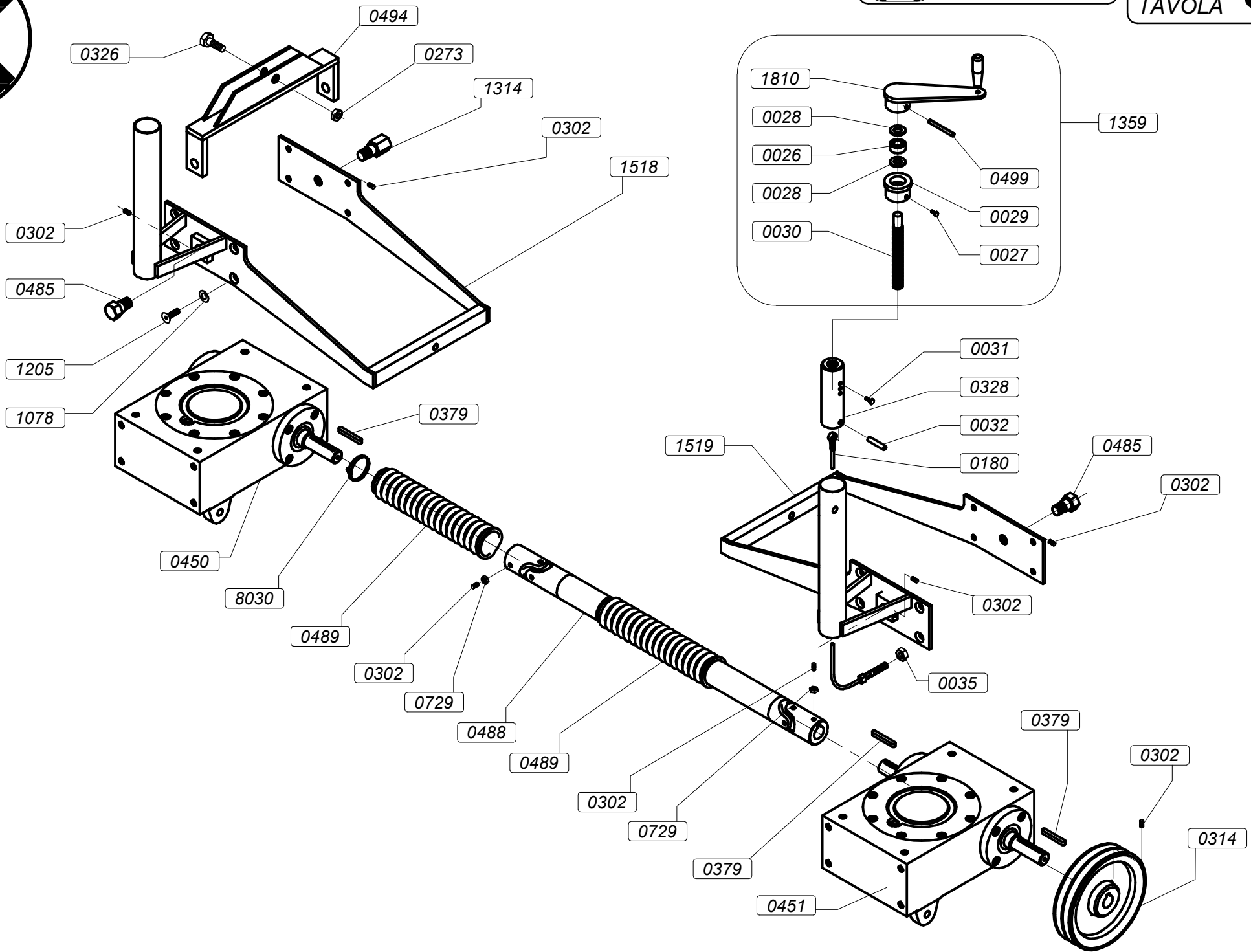


COD.	DESCRIZIONE (I)	DESCRIPTION (GB)
0035	DADO BLOKM10 -985 - Z.B.	SELF-LOCKING NUT M10 -985 GALVANIZED WHITE
0050	DADO BLOKM8 DIN 985 Z.B.	SELF-LOCKING NUT M8 DIN 985 GALVANIZED WHITE
0053	DADO M14 BASSO UNI 5589 Z.B.	NUT M14 UNI 5589 GALVANIZED WHITE
0082	SNODO AD ANGOLO LHSA 14 C/TESTA CARBONIT	BALL ARTICULATION LHSA 14 C/HEAD CARBONIT
0084	VITE TE 10x45 UNI 5737 Z.B.	SCREW HEX HEAD 10x45 UNI 5737 GALVANIZED WHITE
0092	RONDELLA GROWER 14 DIN7980 Z.B	GROWER 14 DIN7980 GALVANIZED WHITE
0101	INGRASSATORE M6X1	GREASE FITTING M6X1
0121	DADO BLOKM14 BASSO 7474 Z.B	SELF-LOCKING NUT M14 BASSO 7474 GALVANIZED WHITE
0158	VITE TE 10x55 5737 Z.B.	SCREW HEX HEAD 10x55 5737 GALVANIZED WHITE
0273	DADO BLOK M12 985 ZB	SELF-LOCKING NUT M12 985 GALVANIZED WHITE
0337	VITE TE 8x40 5737 Z.B.	SCREW HEX HEAD 8x40 5737 GALVANIZED WHITE
0465	GRANO M6x8 -5927	DOWEL M6x8 -5927
0499	SPINA ELASTICA 6x30	UNIVERSAL PIN 6x30
0504	PRIGIONIERO M14 L=140 ZB OL-90/MK8-75	STUD M14 L=140 ZB OL-90/MK8-75
0506	TIRANTE M14 L=185 Z.B.x doppie	TIEROD M14 L=185 GALVANIZED WHITE
0509	SUPPORTO UCFL 204 FK	SUPPORT UCFL 204 FK
0511	COPPIA LEVA DX L=148 OL90 MK8-75	RIGHT LEVER L=148 OL90 MK8-75
0514	VITE TE 14x40 5739 ZB	SCREW HEX HEAD M14x40 5739 GALVANIZED WHITE
0515	LEVA TRASLAZIONE OL-90/MK8-75 D.20 L=395	SIDE TRANSLATION LEVER OL90/MK8-75 D.20
0567	LEVA TRASLAZIONE LATER.	SIDE TRANSLATION LEVER
0571	TIRANTE M14 L=95 OL90/120 MK8-75/90/120	TIEROD M14 L=95
0614	PRIGIONIERO M14 L=300 ZB OL90 MK8-75/120	TIE ROD M14 L=300 ZB OL90/75
0714	VITE VSP 14x45 - 5933 Z.B.	SCREW C.F.H. 14x45 - 5933 GALVANIZED WHITE
1040	FILO C/GUAINA 1,5x1900x1800 -	CABLE SHEATH 1,5x1900x1800
1158	BLOCCHETTO PER ASTA GUIDA PER DOPPIE	GUIDE ROD LEVER
1191	STOP BENZINA D.27 + FILO ELETT	PETROL STOP D.27 + ELECTRIC CABLE
1192	MANOPOLA CHIUSA D.27	KNOB CLOSE D.27
1194	BUSSOLA D.26-22-15 L=16	SLEEVE D.26-22-15 L=16
1195	BUSSOLA 18-12 L=12 DIN 179/C	SLEEVE 18-12 L=12 DIN 179/C
1215	RONDELLA PIANA 10x30 Z.B.	WASHER 10x30 GALVANIZED WHITE
1217	VITE TE 10X30 UNI 5739 Z.B.	SCREW HEX HEAD M10X30 UNI 5739 GALVANIZED WHITE
1360	COPPIA LEVA SX L=255 MK8-75	LEFT LEVER L=255 MK8-75
1510	LEVA ACCELERATORE IN PLASTICA	PLASTIC LEVER ACCELERATOR
1515	DISTANZIALE ARRETR.LEVA MK8-75 Z.B.	SPACER LEVER MK8-75 GALVANIZED WHITE
1635	TERMIN.SNODO MARCA "SB" JAM 14	TERMIN.ARTICULATION "SB" JAM 14
1636	TERMIN.SNODO MARCA "SB" JAF 14	TERMIN.ARTICULATION "SB" JAF 14
1870	VITE M12 CH19 L=70 Z.B. CARBONITRURATA	SCREW M12 CH19 L=70 G.W. CARBONITRIDING
1978	ASTA GUIDA PER DOPPIE	GUIDE ROD FOR RIDE-ON MACHINES

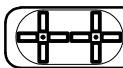


MK8-75

**TABLE
TAVOLA C**



COD.	DESCRIZIONE (I)	DESCRIPTION (GB)
0026	CUSCINETTO REGGISPINTA AXK1528	BEARING THRUST AXK1528
0027	VITE TCCE 5x10 5931 Z.B.	SCREW TCCE 5x10 5931 GALVANIZED WHITE
0028	RALLA AS 1528	BOLSTER AS 1528
0029	ANELLO PORTACUSC.REGGISPINTA	RING BEARING THRUST
0030	PERNO FILETTATO x REGIST. PALE	PIN THREAD FOR REGIS. TOOLHOLDER
0031	VITE TCCE 6x10 5931 Z.B.	SCREW TCCE 6x10 5931 GALVANIZED WHITE
0032	SPINA CILINDRICA 8x40 UNI 1707	UNIVERSAL PIN 8x40 UNI 1707
0035	DADO BLOKM10 -985 - Z.B.	SELF-LOCKING NUT M10 -985 GALVANIZED WHITE
0180	CAVO D.4x49x340 C/TERM. x mk8-75	CABLE D.4x49x340 C/TERM. x mk8-75
0273	DADO BLOK M12 985 ZB	SELF-LOCKING NUT M12 985 GALVANIZED WHITE
0302	GRANO M6x16 - 5927	DOWEL M6x16 - 5927
0314	PULEGGIA ALL/GHISA 140x2A D.20H7	PULLEY ALL/CAST IRON 140x2A D.20H7
0326	VITE TE 12x60 5737 Z.B.	SCREW TE 12x60 5737 GALVANIZED WHITE
0328	ATTACCO SUPERIORE x CAVO DI REGISTRO	SUP.ATTACHMENT FOR REGISTER CABLE
0379	CHIAVETTA 6X6X35 - 6604 C45	KEY 6X6X35 - 6604 C45
0450	RIDUTTORE COMPL.V75 DX S/MUS.	REDUCTION GEAR COMPL.V75 DX S/MUS.
0451	RIDUTTORECOMPL.V75 SX S/MUS.	REDUCTION GEAR COMPL.V75 SX S/MUS.
0465	GRANO M6x8 -5927	PIN M6x8 -5927
0485	VITE BASCULANTE M14 L=37,5 CH22 ZB (3PZ)	SCREW M14 L=37,5 CH22 ZB (3PZ)
0488	ALBERO CARDANO OL90/MK8-75	GIMBAL OL90/MK8-75
0489	CUFFIA PROTEZIONE CARDANO	DUST BOOT GIMBAL
0494	PONTE BASCULANTE OL-90/MK8-75	STIRRUP OVERHEAD OL-90/MK8-75
0499	SPINA ELASTICA 6x30	UNIVERSAL PIN 6x30
0729	DADO M6 5589 BASSO Z.B.	LOW NUT M6 5589
1078	RONDELLA ZIGRIN.D10 ZINC.B.	WASHER D10 GALVANIZED WHITE
1205	VITE TE 10x20 UNI 5739 Z.B.	SCREW TE 10x20 UNI 5739 GALVANIZED WHITE
1314	VITE BASCUL.M14 L=50 OL90-75 (1PZ)	SCREW M14 L=50 OL90-75 (1PZ)
1359	GRUPPO ALZAPALE C/MANOPOLA	BLADE LIFTER UNIT W/CRANK
1518	BASCULANTE DX MK8-75	RH SUPPORT REDUCTION GEAR MK8-75
1519	BASCULANTE SX MK8-75	LH SUPPORT REDUCTION GEAR MK8-75
1810	LEVA ZINC. CON MANIGLIA NERA M8	LEVER WITH BLACK KNOB M8
8030	FASCETTA NERA B4-190C 4,8X200	HOSE CLAMP BLACK B4-190C 4,8X200

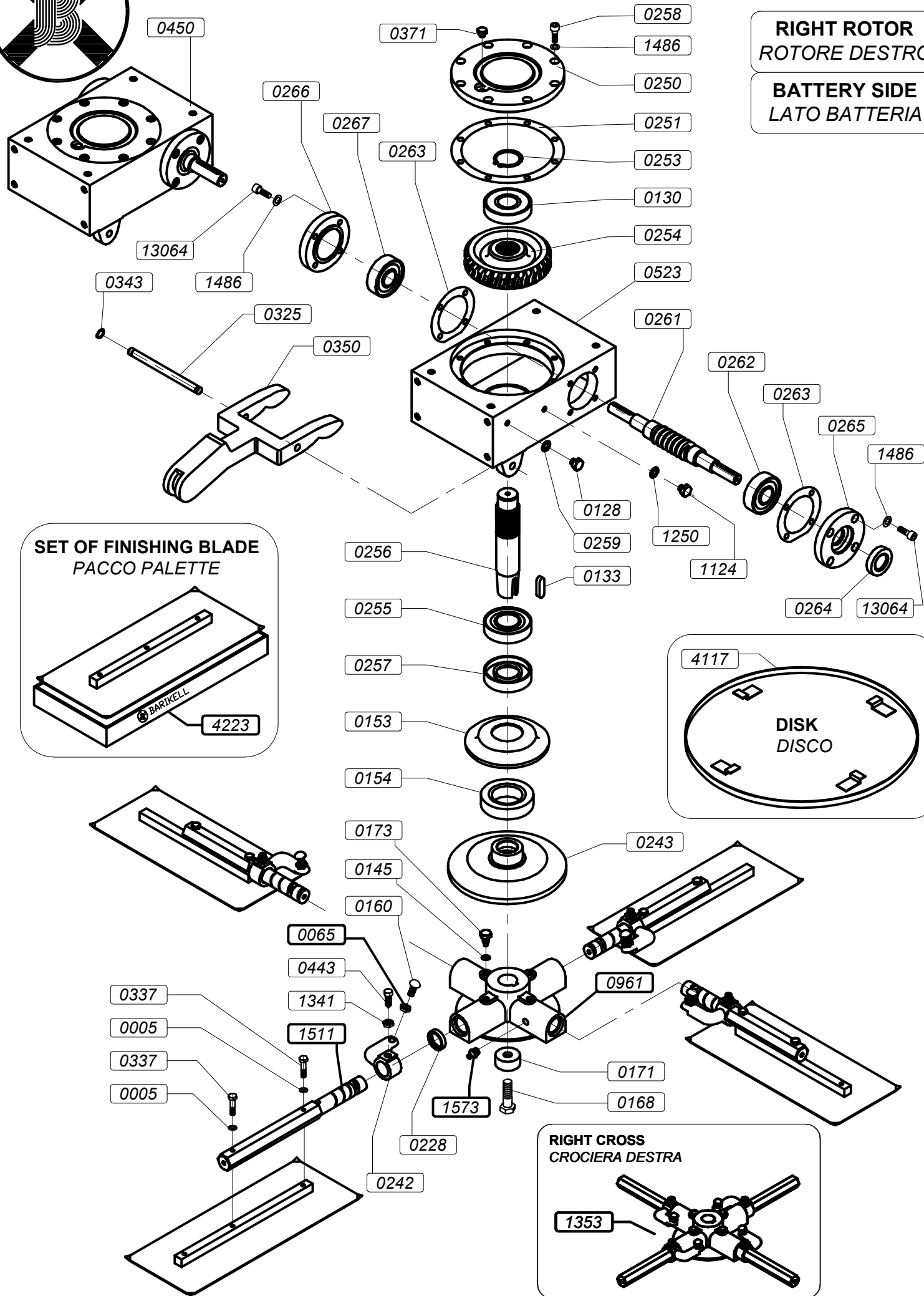


MK8-75

**TABLE
TAVOLA D**

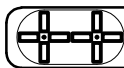
**RIGHT ROTOR
ROTORE DESTRO**

**BATTERY SIDE
LATO BATTERIA**



COD.	DESCRIZIONE (I)	DESCRIPTION (GB)
0005	RONDELLA GROWER D. 8 Z.B.	SCREW HEX HEAD 8x35 UNI 5737 GALVANIZED WHITE
0065	DADO M10 5588 Z.B.	NUT M10 5588
0128	TAPPO SCARICO OLIO 3/8" GAS ZB	PLUG OIL 3/8" GAS GALVANIZED WHITE
0130	CUSCINETTO CONICO 30306 CX	TAPER BEARING 30306 CX
0133	CHIAVETTA10x8x35 - 6604A	KEY 10x8x35 - 6604A
0145	RONDELLA PIANA 10x21 6592 Z.B.	WASHER 10x21 6592 GALVANIZED WHITE
0153	COPRICUSCINETTO 4-90/4-120	COVER BEARING 4-90/4-120
0154	CUSCINETTO REGGISPINTA BCA2256	BEARING BCA2256
0160	VITE TTDE10X30 UNI 5731 SENZA	SCREW TTDE10X30 UNI 5731
0168	VITE TCCE 12x30X1,5 Z.B. DIN912	SCREW TCCE 12x30X1,5 GALVANIZED WHITE DIN912
0171	ROND. BLOCC. CROC. 4-90/120,MK8-75,OL90	WASHER 4-90/120,MK8-75,OL90
0173	VITE BLOC.BRAC.P.PALE 4-90/120	SCREW FIX TOOLHOLDER 4-90/120
0228	OR D.25 SEZ.1,5 PER CROC.	O-RING D.25 SEZ.1,5
0242	GOMITO GHISA D.25 4-90/MK8-75	BENG IN CAST IRON D.25 4-90/MK8-75
0243	CAMPANA REG.PALE D.182 ZB	UPPER HEAD TOOLHOLDER D.182
0250	COPERCHIOSUPERIORE V75	UPPER COVER V75
0251	GUARNIZIONE SUPERIORE V75	UPPER SEAL V75
0253	SEEGER "E" 30x1,5 UNI 7435 DIN 471	SEEGER "E" 30x1,5 UNI 7435 DIN 471
0254	CORONA DENTATA DX V75	CROWN GEAR DX V75
0255	CUSCINETTO SFERE 6207-2RS V75 CX	BALL BEARING 6207-2RS V75 CX
0256	ALBERO LENTO V75	SLOW SHAFT V75
0257	PARAOILIO DOP.TENUTA 35X55X10	OIL SEAL 35X55X10
0258	VITE TCCE 8x16 UNI 5931 Z.B. 12.9	SCREW TCCE 8x16 UNI 5931 GALVANIZED WHITE
0259	RONDELLA ALL. 17x23x1.5 X RID.	WASHER ALL. 17x23x1.5
0261	VITE SENZA FINE DX V75	WORM SCREW DX V75
0262	CUSCINETTO CONICO 30305 CX	TAPER BEARING 30305 CX
0263	GUARNIZIONE LATERALE V75	SEAL V75
0264	PARAOILIO DOP.TENUTA 25X45X10	OIL SEAL 25X45X10
0265	COPERCHIO LATERALE FORATO V75	PERFORATED SIDE LID V75
0266	COPERCHIO LATERALE CHIUSO V75	CLOSED SIDE COVER V75
0267	CUSCINETTO A SFERE 6305 CX	BALL BEARING 6305 CX
0325	PERNO FORCEL.D.11X179 Z.B.V75	PIN YOKE D.11X179 Z.B.V75
0337	VITE TE 8x40 5737 Z.B.	SCREW HEX HEAD 8x40 5737 GALVANIZED WHITE
0343	ANELLO RADIALE DIAM.10	SEAL DIAM.10
0350	FORCELLA COMANDO PALE D.11	YOKE CONTROL TOOLHOLDER D.11
0371	TAPPO SFIATO 1/8"+ RONDELLA IN RAME	BREATHER PLUG 1/8"+ COPPER WASHER
0443	GRANO M10x20 UNI 5927	DOWEL M10x20 UNI 5927
0450	RIDUTTORE COMPL.V75 DX S/MUS.	RH COMPLETE GEARBOX V75
0523	SCATOLA DX RID.V75 S/MUS OL90 MK8-75	RH REDUCTION GEAR BOX V75 S/MUS OL90 MK8-75
0803	VITE TCCE M8X20	SCREW TCCE M8X20
0961	CROCERA 4-90/MK8-75 C/FORI ING	SPIDER 4-90/MK8-75 C/FORI ING

1124	INDICAT.LIV.OLIO 3/4" VETRO	LEVEL INDICATOR OIL 3/4" GLASS
1250	RONDELLA ALL.27X33X1,5 3/4"	WASHER ALL.27X33X1,5 3/4"
13064	VITE TCCE 8x20 UNI 7984 Z.B.TESTA RIBAS	SCREW TCCE M8X20 UNI 7984 LOWERED HEAD
1341	DADO M10 5589 BASSO GREZZO	NUT M10 5589
1353	CROCERA COMP.DX MK8-75 C/ING	COMPLETE RH SPIDER PLATE MK8-75
1486	RONDELLA ZIGRINATA D.8 Z.B.	WASHER D.8 GALVANIZED WHITE
1511	BRACCIO PORTA PALETTA MK8-75	TOOLHOLDER ARM MK8-75
1573	INGRASSATORE M8X1.25 2802	GREASE FITTING M8X1.25 2802
4117	DISCO FRAT.D.750 MK8-75 4 LING	TROWEL DISC D.750 MK8-75 4 LING
4223	PACCO PALETTE 4-80/MK8-75	SET OF FINISHING BLADES 4-80/MK8-75

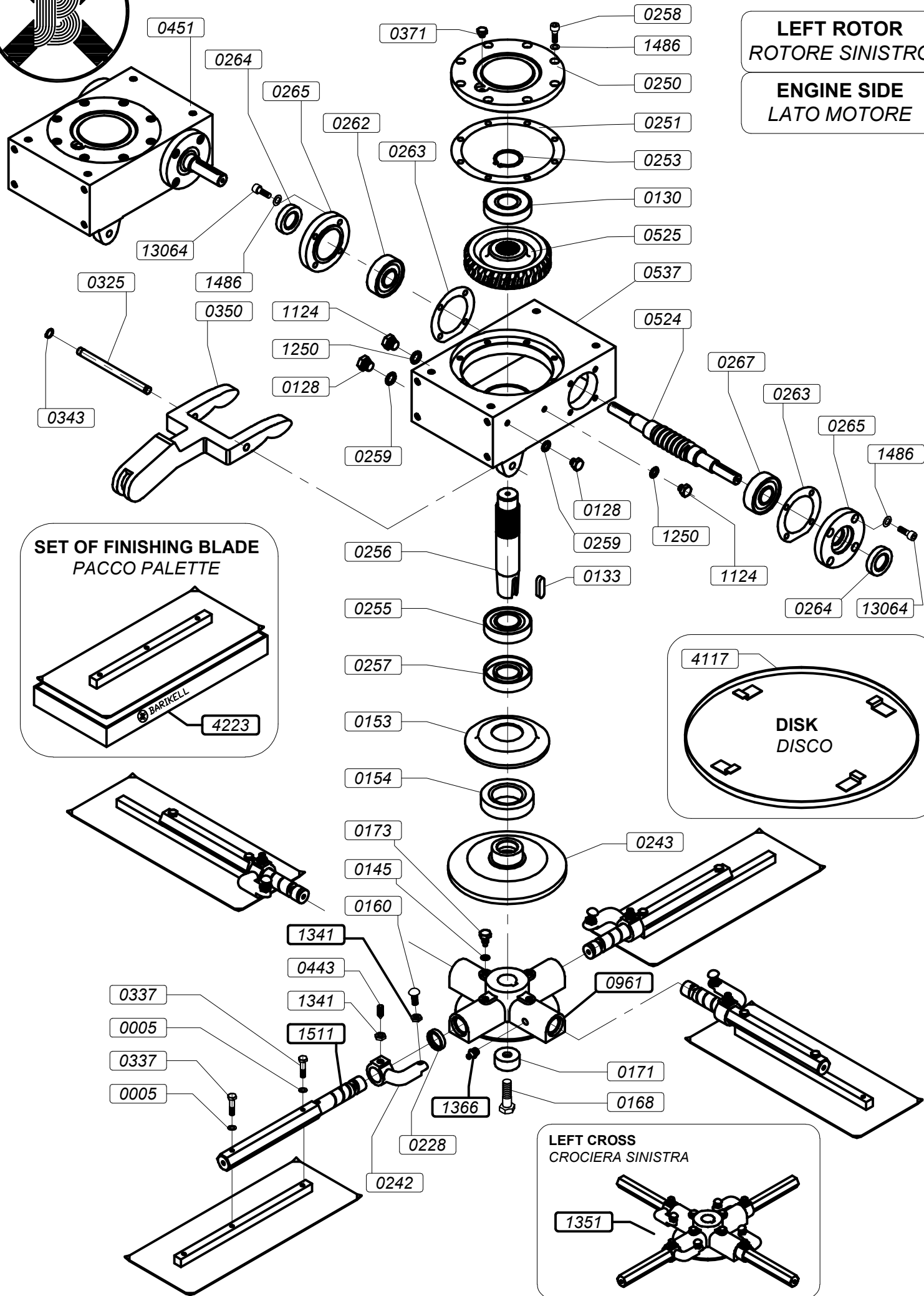


MK8-75

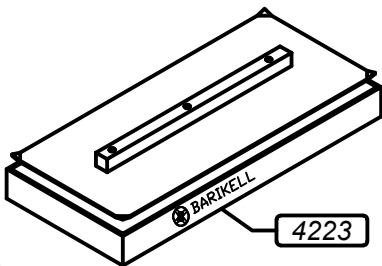
**TABLE
TAVOLA E**

**LEFT ROTOR
ROTORE SINISTRO**

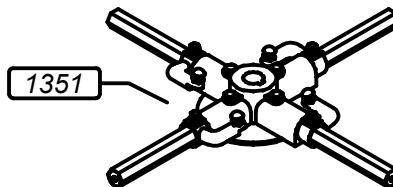
**ENGINE SIDE
LATO MOTORE**



**SET OF FINISHING BLADE
PACCO PALETTE**

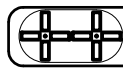


**LEFT CROSS
CROCIERA SINISTRA**



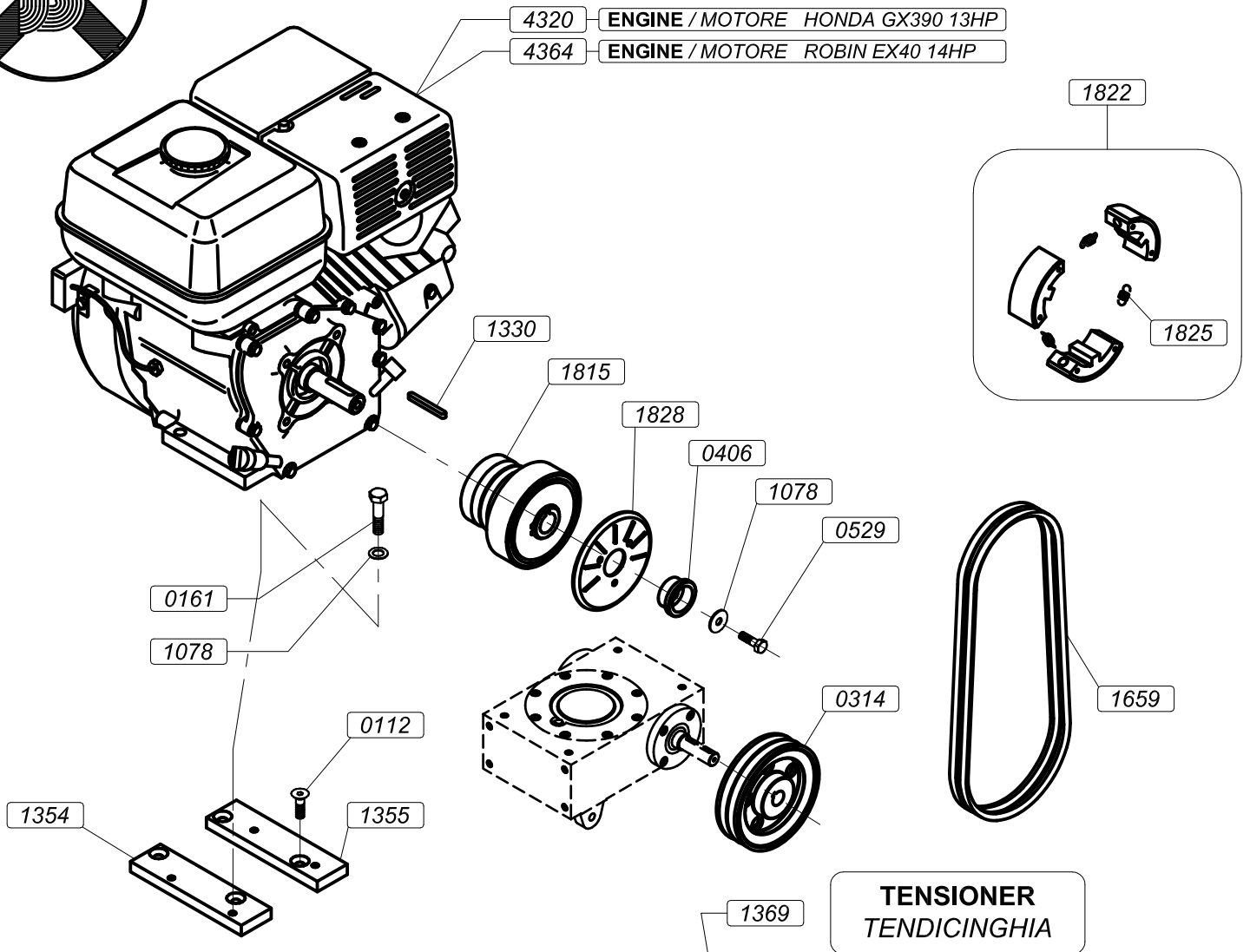
COD.	DESCRIZIONE (I)	DESCRIPTION (GB)
0005	RONDELLA GROWER D. 8 Z.B.	SCREW HEX HEAD 8x35 UNI 5737 G. WHITE
0128	TAPPO SCARICO OLIO 3/8" GAS ZB	PLUG OIL 3/8" GAS GALVANIZED WHITE
0130	CUSCINETTO CONICO 30306 CX	TAPER BEARING 30306 CX
0133	CHIAVETTA10x8x35 - 6604A	KEY 10x8x35 - 6604A
0145	RONDELLA PIANA 10x21 6592 Z.B.	WASHER 10x21 6592 GALVANIZED WHITE
0153	COPRICUSCINETTO 4-90/4-120	COVER BEARING 4-90/4-120
0154	CUSCINETTO REGGISPIANTA BCA2256	BEARING BCA2256
0160	VITE TTDE10X30 UNI 5731 SENZA	SCREW TTDE10X30 UNI 5731
0168	VITE TCCE 12x30X1,5 Z.B. DIN912	SCREW TCCE 12x30X1,5 GALVANIZED WHITE
0171	ROND. BLOCC. CROC.	WASHER 4-90/120,MK8-75,OL90
0173	VITE BLOC.BRAC.P.PALE 4-90/120	SCREW FIX TOOLHOLDER 4-90/120
0228	OR D.25 SEZ.1,5 PER CROC.	O-RING D.25 SEZ.1,5
0242	GOMITO GHISA D.25 4-90/MK8-75	BENG IN CAST IRON D.25 4-90/MK8-75
0243	CAMPANA REG.PALE D.182 4-90 ZB	UPPER HEAD TOOLHOLDER D.182 4-90 ZB
0250	COPERCHIOSUPERIORE V75	UPPER COVER V75
0251	GUARNIZIONE SUPERIORE V75	UPPER SEAL V75
0253	SEEGER "E" 30x1,5 UNI 7435 DIN 471	SEEGER "E" 30x1,5 UNI 7435 DIN 471
0255	CUSCINETTO SFERE 6207-2RS V75 CX	BALL BEARING 6207-2RS V75 CX
0256	ALBERO LENTO V75	SLOW SHAFT V75
0257	PARAOLIO DOP.TENUTA 35X55X10	OIL SEAL 35X55X10
0258	VITE TCCE 8x16 UNI 5931 Z.B. 12.9	SCREW TCCE 8x16 UNI 5931 G. WHITE
0259	RONDELLA ALL. 17x23x1.5 X RID.	WASHER ALL. 17x23x1.5
0262	CUSCINETTO CONICO 30305 CX	TAPER BEARING 30305 CX
0263	GUARNIZIONE LATERALE V75	SEAL V75
0264	PARAOLIO DOP.TENUTA 25X45X10	OIL SEAL 25X45X10
0265	COPERCHIO LATERALE FORATO V75	PERFORATED SIDE LID V75
0267	CUSCINETTO A SFERE 6305 CX	BALL BEARING 6305 CX
0325	PERNO FORCEL.D.11X179 Z.B.V75	PIN YOKE D.11X179 Z.B.V75
0337	VITE TE 8x40 5737 Z.B.	SCREW HEX HEAD 8x40 5737 G.WHITE
0343	ANELLO RADIALE DIAM.10	SEAL DIAM.10
0350	FORCELLA COMANDO PALE D.11	YOKE CONTROL TOOLHOLDER D.11
0371	TAPPO SFIATO 1/8"+ RONDELLA IN RAME	BREATHER PLUG 1/8"+ COPPER WASHER
0443	GRANO M10x20 UNI 5927	DOWEL M10x20 UNI 5927
0451	RIDUTTORECOMPL.V75 SX S/MUS.	LH COMPLETE GEARBOX V75
0524	VITE S/FINE SX RIDUTTORE V75	LH WORM SCREW V75
0525	CORONA DENTATA SX RIDUTT. V75	LH CROWN GEAR V75
0537	SCATOLA SX RID.V75 S/MUS OL90	LH REDUCTION GEAR BOX V75 S/MUS
0803	VITE TCCE M8X20	SCREW TCCE M8X20
0961	CROCERA 4-90/MK8-75 C/FORI ING	SPIDER 4-90/MK8-75 C/FORI ING
1124	INDICAT.LIV.OLIO 3/4" VETRO	LEVEL INDICATOR OIL 3/4" GLASS
1250	RONDELLA ALL.27X33X1,5 3/4"	WASHER ALL.27X33X1,5 3/4"
13064	VITE TCCE 8x20 UNI 7984 Z.B.TESTA RIBAS	SCREW TCCE M8X20 UNI 7984 LOWERED HEAD

1341	DADO M10 5589 BASSO GREZZO	NUT M10 5589
1351	CROCERA COMP.SX MK8-75 C/ING	LH COMPLETE SPIDER PLATE MK8-75
1366	INGRASSATORE M8X1,25	GREASE FITTING M8X1,25
1486	RONDELLA ZIGRINATA D.8 Z.B.	WASHER D.8 GALVANIZED WHITE
1511	BRACCIO PORTA PALETTA MK8-75	TOOLHOLDER ARM MK8-75
4117	DISCO FRAT.D.750 MK8-75 4 LING	TROWEL DISC D.750 MK8-75 4 LING
4223	PACCO PALETTE 4-80/MK8-75	SET OF FINISHING BLADES 4-80/MK8-75

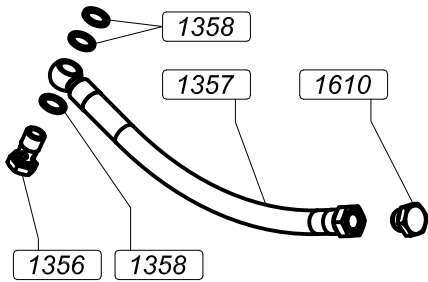


MK8-75

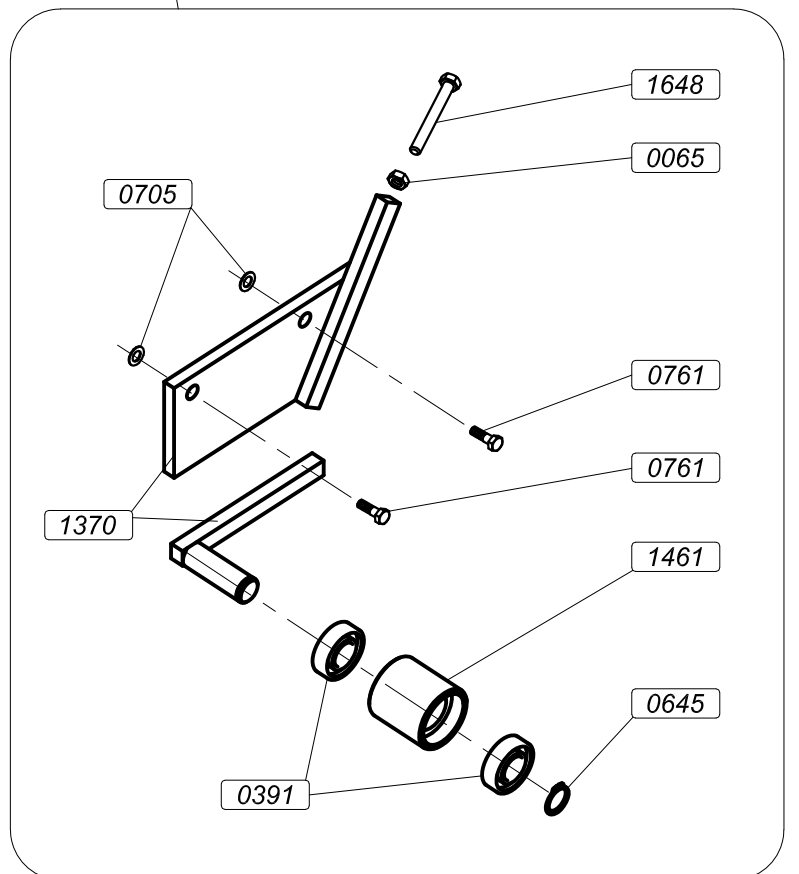
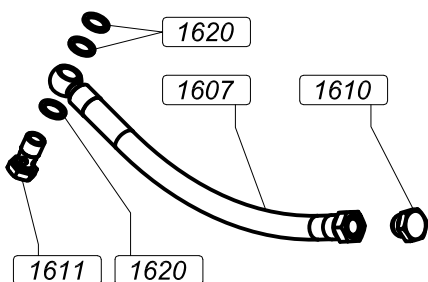
TABLE F1
TAVOLA F1



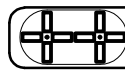
ENGINE / MOTORE HONDA GX390 13HP



ENGINE / MOTORE ROBIN 13.5HP

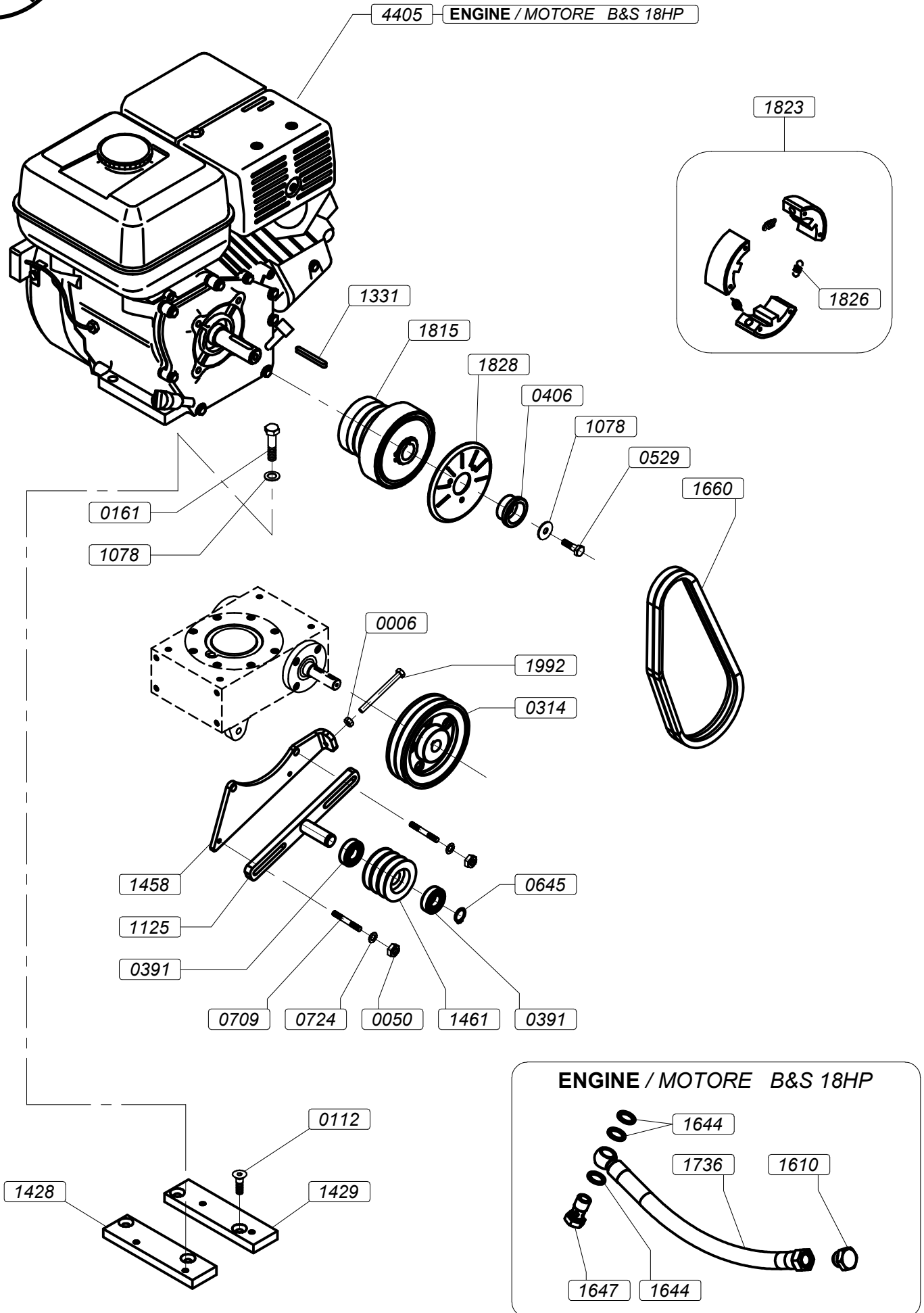


COD.	DESCRIZIONE (I)	DESCRIPTION (GB)
0065	DADO M10 5588 Z.B.	NUT M10 5588 GALVANIZED WHITE
0112	VITE VSP 10x40 5933 ZINC. BIANCA	SCREW VSP 10x40 5933 GALVANIZED WHITE
0161	VITE TE 10x35 5737 Z.B.	SCREW TE 10x35 5737 GALVANIZED WHITE
0314	PULEGGIA 140x2A D.20H7	PULLEY 140X2A D.20H7
0391	CUSCINETTO 6004 2RS 42-12 TEND	BEARING 6004 2RS 42-12
0406	BOCCOLA FISSAG. FRIZ. PAF 105	FIX BUSHING FRICTION PAF 105
0529	VITE TE UNF 3/8x1"3/4	SCREW HEX HEAD UNF 3/8x1"3/4
0645	SEEGER "E" 20 - 7435	SEEGER "E" 20 - 7435
0705	RONDELLA PIANA D. 8 Z.B.	WASHER D. 8 GALVANIZED WHITE
0761	VITE TE UNF 5/16x1	SCREW HEX HEAD UNF 5/16x1
1078	RONDELLA ZIGRIN.D10 ZINC.B.	WASHER D10 GALVANIZED WHITE
1330	CHIAVETTA 38X6, 35X6	KEY 38X6, 35X6
1354	SUPPORTO MOTORE ANTER.	FRONT SUPPORT ENGINE
1355	SUPPORTO MOTORE POSTER.	REAR SUPPORT ENGINE
1356	BULLONE FORATO 12X1,5mm TUBO SCAR.OLIO	BOLT HOLE 12X1,5mm PIPE OIL
1357	TUBO T.PLAS.R7 1/4" FD3/8"-1/4	PIPE R7 1/4" FD3/8"-1/4
1358	RONDELLA RAME 12X18X1,5 PER BULLONE FOR.	WASHER COPPER 12X18X1,5
1369	TENDICINGHIA COMPLETO MK8-75	COMPLETE BELT TENSIONER MK8-75
1370	TENDICINGHIA PER MK8-75	BELT STRETCHER FOR MK8-75
1461	PULEGGIA ALL. D.EST.70 L=50	PULLEY ALL. D.EST.70 L=50
1607	TUBO T.PLAS.R7 1/4" FD3/8"-1/4	PIPE R7 1/4" FD3/8"-1/4
1610	TAPPO TESTA ESAGONALE GAS 3/8"	HEX HEAD CAP GAS 3/8"
1611	BULLONE FORATO 14X1.5mm X TUBO SCAR.OLIO	BOLT HOLE 14X1.5mm FOR PIPE OIL
1620	RONDELLA RAME 14X20X1,5	WASHER COPPER 14X20X1,5
1648	VITE TE 10X75 5739 Z.B. TUT.FI	SCREW HEX HEAD 10X75 5739 GALVANIZED WHITE
1659	CINGHIA OPTIBELT XPA 807	BELT OPTIBELT XPA 807
1815	FRIZIONE 4-90/120 105 D.25,4 (1")	CLUTCH 4-90/120 105 D.25,4 (1")
1822	SERIE MASSE FRIZIONE BARIKELL	FLYWEIGHT FOR CLUTCH BARIKELL
1825	MOLLA X FRIZIONE BARIKELL 105	SPRING FOR CLUTCH BARIKELL 105
1828	COPERCHIO FRIZIO.BARIKELL 105	CLUTCH COVER BARIKELL 105
4320	MOTORE HONDA GX390UT2 13HP A/S	ENGINE HONDA GX390UT2 13HP A/S
4364	MOTORE ROBIN EX40 14HP A/ELET.	ENGINE ROBIN EX40 14HP A/ELET.



MK8-75

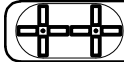
TABLE F2
TAVOLA



COD.	DESCRIZIONE (I)	DESCRIPTION (GB)
0006	DADO M8 UNI 5588 Z.B.	NUT M8 UNI 5588
0050	DADO BLOKM8 DIN 985 Z.B.	BLOK NUT M8 DIN 985
0112	VITE VSP 10x40 5933 ZINC. BIANCA	SCREW VSP 10x40 5933 GALVANIZED WHITE
0161	VITE TE 10x35 5737 Z.B.	SCREW TE 10x35 5737 GALVANIZED WHITE
0314	PULEGGIA 140x2A D.20H7	PULLEY 140X2A D.20H7
0391	CUSCINETTO 6004 2RS 42-12 TEND	BEARING 6004 2RS 42-12
0406	BOCCOLA FISSAG. FRIZ. PAF 105	FIX BUSHING FRICTION PAF 105
0529	VITE TE UNF 3/8x1"3/4	SCREW HEX HEAD UNF 3/8x1"3/4
0645	SEEGER "E" 20 - 7435	SEEGER "E" 20 - 7435
0709	PRIGIONIERO M8 L=40 Z.B.	TIE ROD M8 L=40
0724	RONDELLA 8x24 - ZINCATA BIANCA	WASH PLAIN 8X24
1078	RONDELLA ZIGRIN.D10 ZINC.B.	WASHER D10 GALVANIZED WHITE
1125	BRACCIO + PERNO PIASTRA TENDICINGHIA	ARM + BELT TENSIONER PIN
1331	CHIAVETTA	KEY
1428	SUPPORTO MOTORE ANTER.	FRONT SUPPORT ENGINE
1429	SUPPORTO MOTORE POSTER.	REAR SUPPORT ENGINE
1458	TENDICINGHIA PIASTRA	BELT TENSIONER PLATE
1461	PULEGGIA ALL. D.EST.70 L=50	PULLEY ALL. D.EST.70 L=50
1610	TAPPO TESTA ESAGONALE GAS 3/8"	HEX HEAD CAP GAS 3/8"
1644	BULLONE FORATO 14X1.5mm X TUBO SCAR.OLIO	BOLT HOLE 14X1.5mm FOR PIPE OIL
1647	BULLONE FORATO GAS 3/8" CH.22	BOLT 3/8" CH.22
1661	CINGHIA OPTIBELT XPA 850	BELT OPTIBELT XPA 850
1736	TUBO FLEXR6 3/8" FD. 3/8" +	FLEX PIPE R6 3/8" FD. 3/8"
1815	FRIZIONE 4-90/120 105 D.25,4 (1")	CLUTCH 4-90/120 105 D.25,4 (1")
1822	SERIE MASSE FRIZIONE BARIKELL	FLYWEIGHT FOR CLUTCH BARIKELL
1825	MOLLA X FRIZIONE BARIKELL 105	SPRING FOR CLUTCH BARIKELL 105
1828	COPERCHIO FRIZIO.BARIKELL 105	CLUTCH COVER BARIKELL 105
1992	VITE TE 8X70 UNI 5739 Z.B.	SCREW TE 8X70 UNI 5739
4405	MOTORE B&S.VAN.18HP C/SERB.	B&S VANGUARD ENGINE 18HP WITH TANK



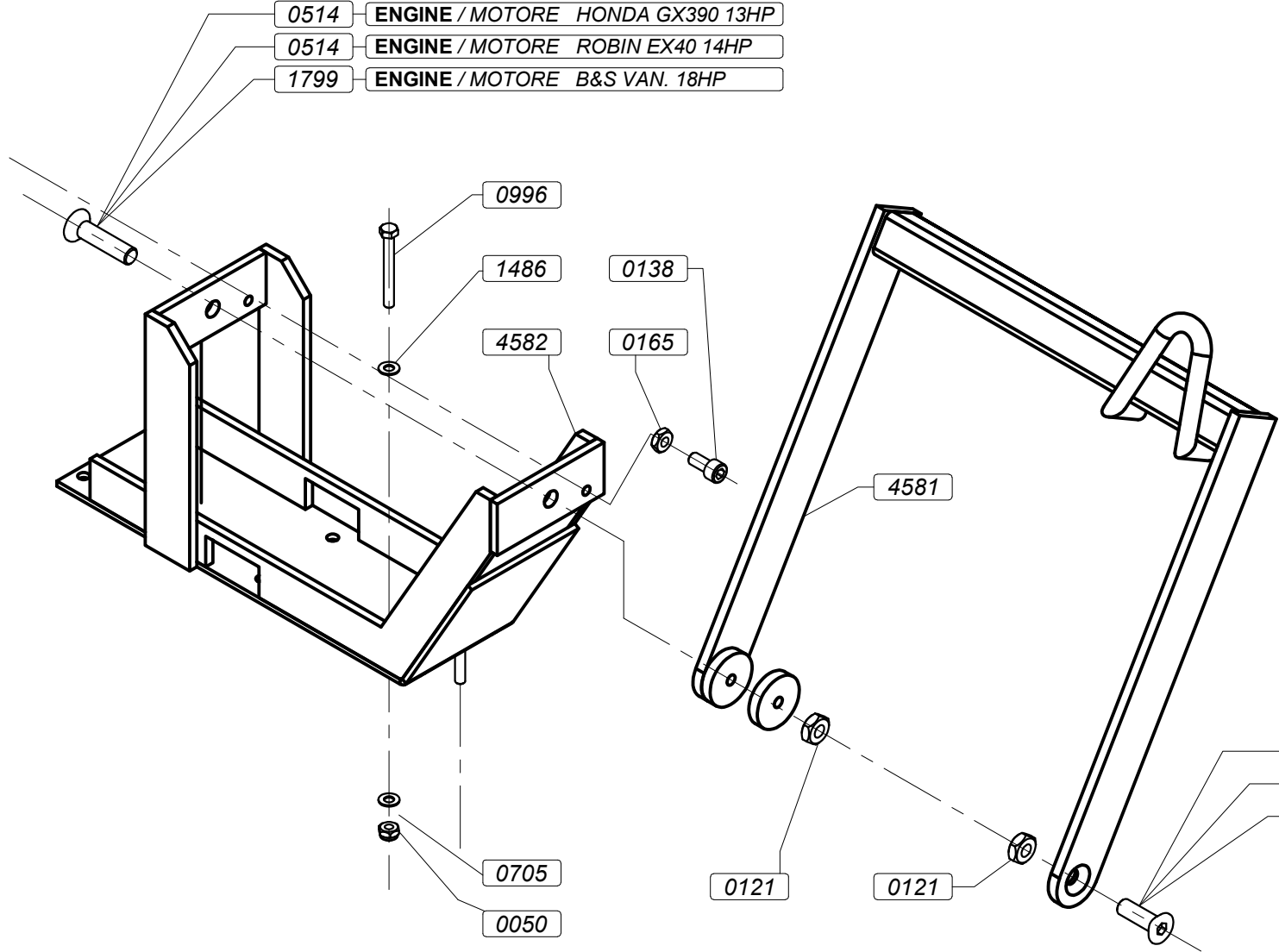
OPTIONAL



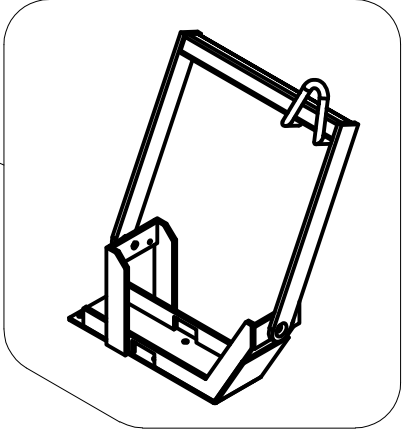
MK8-75

TABLE TAVOLA G

- 0514 ENGINE / MOTORE HONDA GX390 13HP
- 0514 ENGINE / MOTORE ROBIN EX40 14HP
- 1799 ENGINE / MOTORE B&S VAN. 18HP

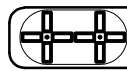


3392



- 0514 ENGINE / MOTORE HONDA GX390 13HP
- 0514 ENGINE / MOTORE ROBIN EX40 14HP
- 0714 ENGINE / MOTORE B&S VAN. 18HP

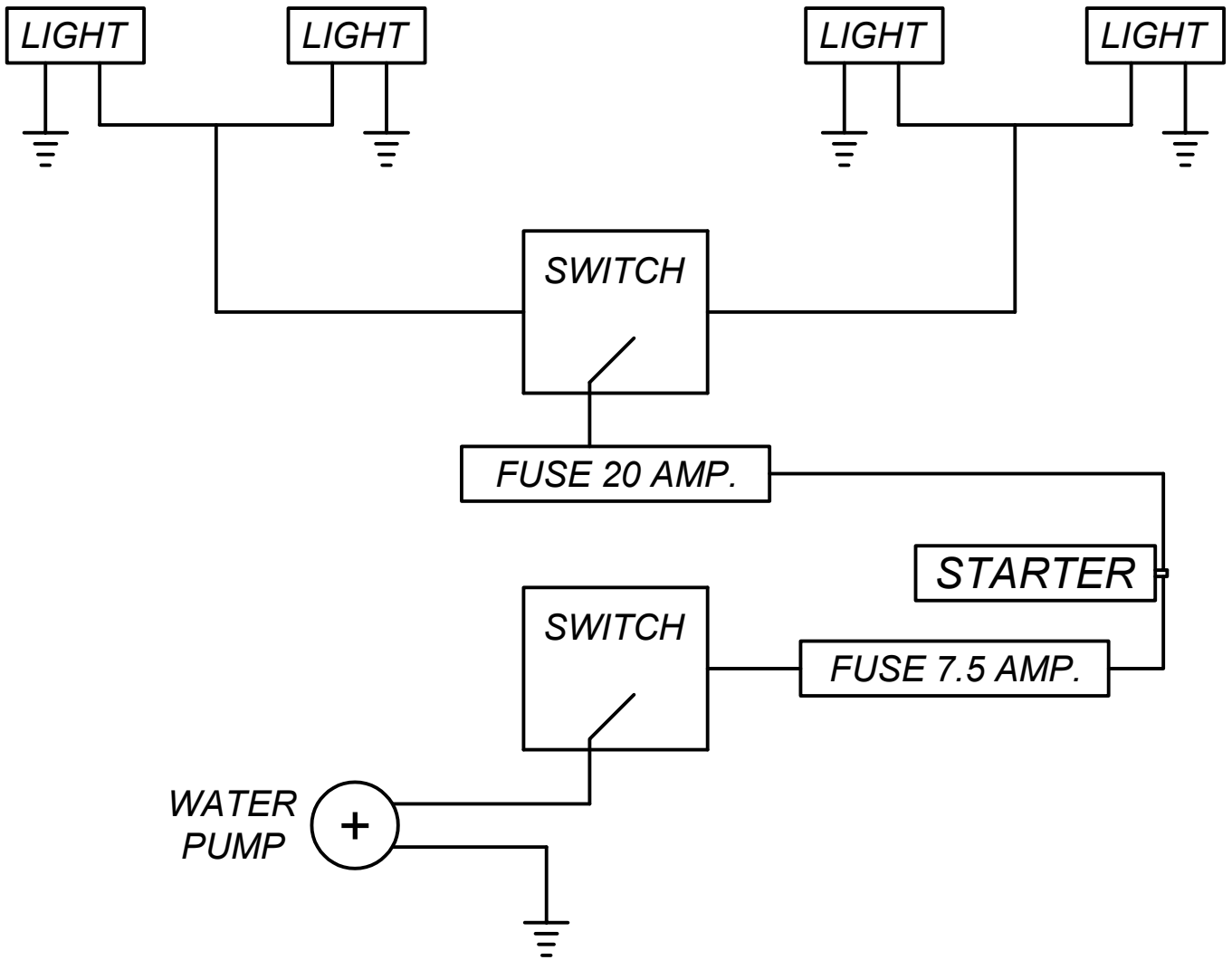
COD.	DESCRIZIONE (I)	DESCRIPTION (GB)
0050	DADO BLOKM8 DIN 985 Z.B.	SCREW HEX HEAD 8x20 UNI 5739 GALVANIZED WHITE
0121	DADO BLOKM14 BASSO 7474 Z.B	SELF-LOCKING NUT M14 7474 GALVANIZED WHITE
0138	VITE TCCE 10x20 Z.B. UNI 5931	SCREW 10x20 UNI 5931
0165	DADO M10 5589 BASSO - Z.B.	NUT M10 5589
0514	VITE TE 14x40 5739 ZB	SCREW HEX HEAD M14x40 5739 GALVANIZED WHITE
0705	RONDELLA PIANA D. 8 Z.B.	WASHER D. 8 GALVANIZED WHITE
0714	VITE VSP 14x45 5933 ZB	SCREW VSP M14x45 5933 GALVANIZED WHITE
0996	VITE TE 8x90 UNI 5739 DIN 933 Z.B.	SCREW 8x90 UNI 5739 DIN 933
1486	RONDELLA ZIGRINATA D.8 Z.B.	WASHER D.8 GALVANIZED WHITE
1799	VITE TE 14X55 UNI 5737 Z.B.	SCREW HEX HEAD 14X55 UNI 5737 GALVANIZED WHITE
3392	GANCIO SOLLEVAMENTO COMPLETO	COMPLETE LIFTING HOOK OL90/MK8-75
4581	GANCIO SOLLEVAM. PARTE SUPER.OL90/MK8-75	TOP LIFTING HOOK OL90/MK8-75
4582	ATTACCO GANCIO SOLLEVAM. OL90/MK8-75	LIFTING HOOK CONNECTION OL90/MK8-75



MK8-75

TABLE
TAVOLA **H**

ELECTRICAL SCHEME 12V FOR DOUBLE



SWITCH SEAT

EMERGENCY

